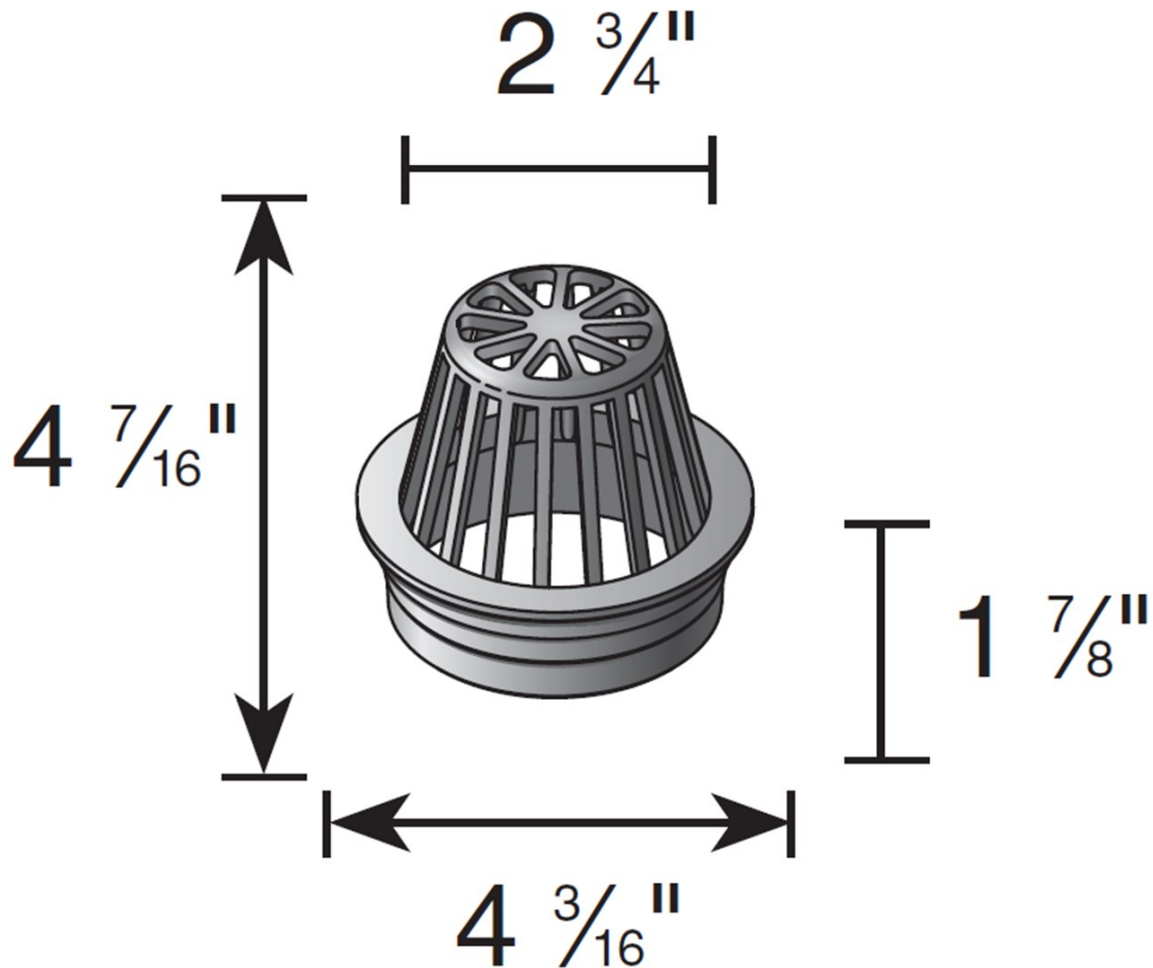


## 4" Atrium Brass Grate



Part #: 78B  
 Material: Brass  
 Color: Brass  
 Fits: 4" sewer, drain, pipe & fittings, 4" corrugated & triple wall pipe.  
 Grate Opening: 1/4"  
 Open Surface Area: 10.2 Sq. Inches  
 Head Pressure / Flow Rate:  
Head ( inches) - Max Flow  
 1.0" = 44.13 GPM  
 0.5" = 31.2 GPM  
 Weight Per Each: 2.0 lbs.



**DRAINAGE  
SOLUTIONS, INC**

( 3 1 7 ) 3 4 6 - 4 1 1 0

[www.drainagesolutionsinc.com](http://www.drainagesolutionsinc.com)

