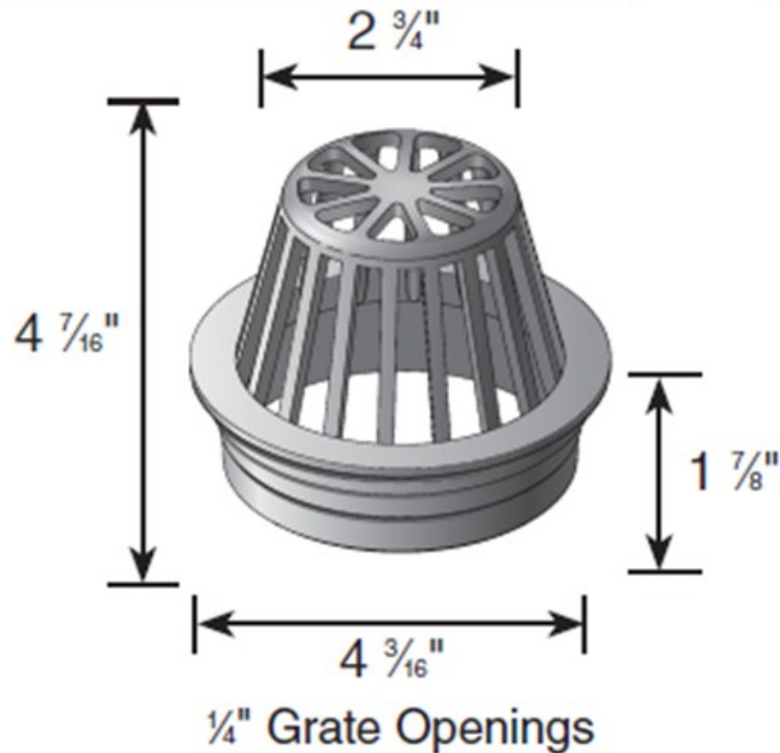


4" ATRIUM GRATE



WEIGHT per EACH:

.210 LBS

Material: HDPE

Colors: Green (75), Gray (76), Black (78), Sand (78S)

Fits: Use with 4" Sewer and Drain pipe and fittings, 4" Corrugated pipe and 4" Triple Wall pipe

Opening: 17 in² open space

Will accommodate 52.01 gallons per minute with 1/2" of head



**DRAINAGE
SOLUTIONS, INC**

(317) 346-4110

www.drainagesolutionsinc.com

