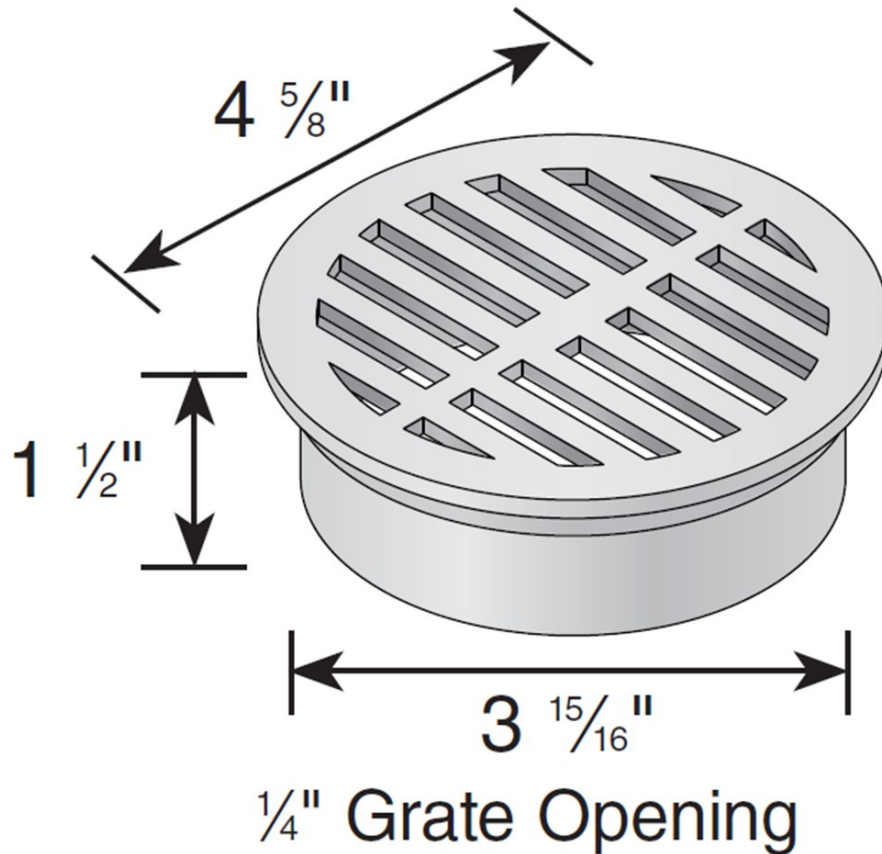


4" Round Grate



Part #: 11, 12, 13 and 13S
 Material: (HDP) High Density Polypropylene
 Color: #11(Black), #12(Gray), #13(Green), & #13S(Sand)
 Fits: 4" sewer and drain pipe & fittings,
 4" corrugated and triple wall pipe.
 Grate Opening: 1/4"
 Open Surface Area: 3.85 Sq. Inches
 Head Pressure / Flow Rate:
Head (inches) - Max Flow
 1" = 16.66 GPM
 0.5" = 11.78 GPM
 Weigh Per Each: 0.16 lbs.
 UV inhibitor

Load Recommendation Guide



Class A

- Loads of 1-60 psi.
- Recommended for pedestrians, bicycles and wheel chair traffic.

ADA Compliant/Heel-proof



(317) 346-4110

www.drainagesolutionsinc.com

