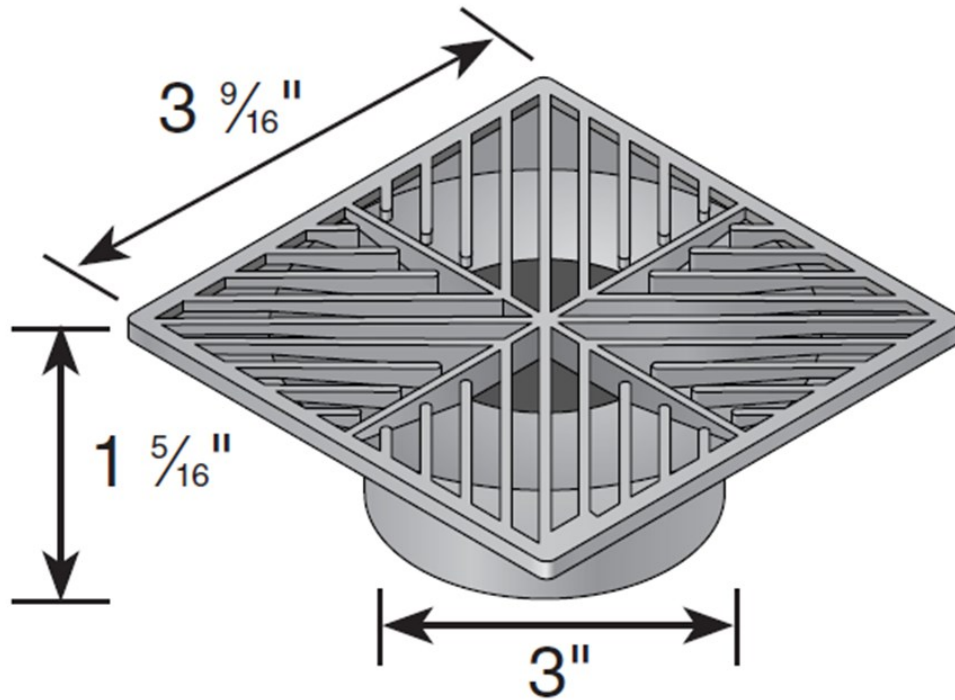


4" Square Grate



$\frac{3}{16}$ " Grate Opening

Part #: 1, 2, & 3
 Material: (HDP) High Density Polypropylene
 Color: #1(Green), #2(Black), & #3(Gray)
 Fits: 3" sewer and drain pipe & fittings, 3" corrugated and triple wall pipe.
 Grate Opening: $\frac{3}{16}$ "
 Open Surface Area: 3.45 Sq. Inches
 Head Pressure / Flow Rate:
Head (inches) - Max Flow
 1" = 14.93 GPM
 0.5" = 10.55 GPM
 Weight Per Each: 0.11 lbs
 UV inhibitor

Load Recommendation Guide



Class A

- Loads of 1-60 psi.
- Recommended for pedestrians, bicycles and wheel chair traffic.

ADA Compliant/Heel-proof



DRAINAGE
SOLUTIONS, INC

(317) 346-4110

www.drainagesolutionsinc.com

