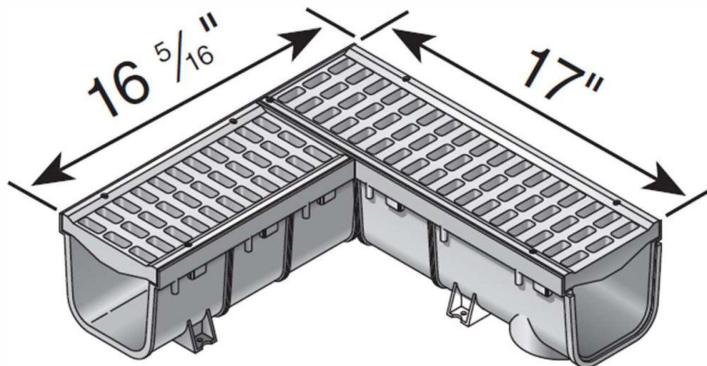


5" x 1 Meter Deep Profile Channel 90 & 45 Degree Elbow



Part No.

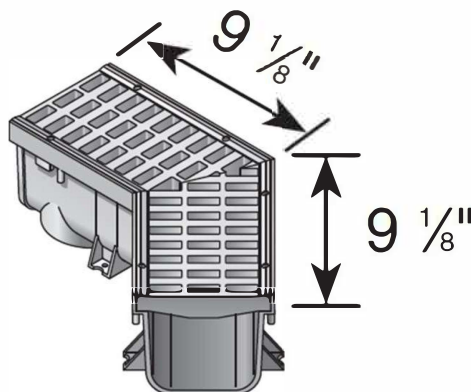
861



**DRAINAGE
SOLUTIONS, INC**

(317) 346-4110

www.drainagesolutionsinc.com



Part No.

862

Part #: 861, #862

Grate Material: HDPE (High Density Polyethylene)

Color: #814(Light Gray)

Fits: 5" Pro Series Channel, Part# 800

Grate Opening: 3/8" x 1-1/4"

Open Surface Area: 23.52 Sq. Inch per Ft.

Head Pressure / Flow Rate:

Head (inches) - Max Flow

1" = 101.75 GPM

0.5" = 71.95 GPM

Part# 861 Weight per each: 3.44 lbs.

Part# 862 Weight per each: 3.44 lbs.

UV Inhibitors



Class B

- Loads of 61-175 psi.
- Recommended for medium-duty pneumatic tire traffic, autos and light trucks at speeds less than 20 m.p.h.

ADA Compliant

