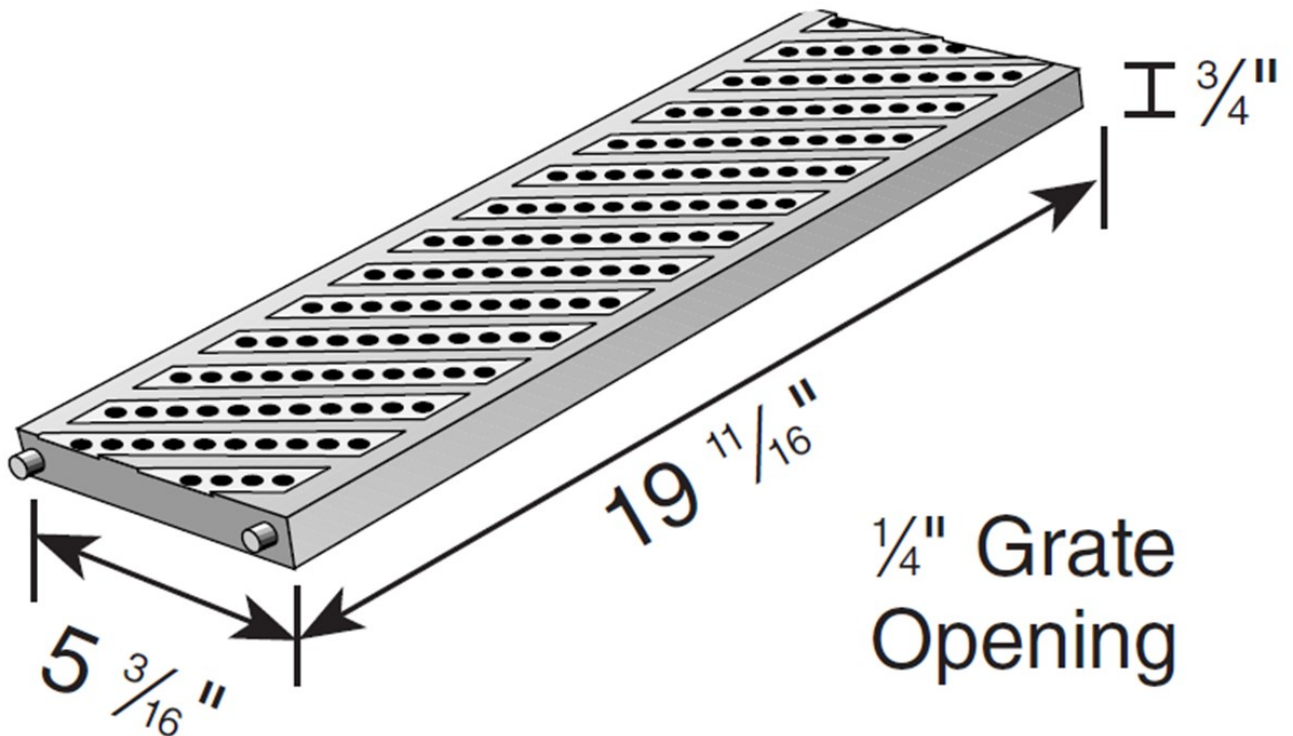


5 Inch Pro Series Grates



Part #: 826
 Material: High Density Polyethylene
 Color: Light Gray
 Fits: 5" Pro Series Channel, Part# 820 (takes 1 grate) and Part# 800 (takes 2 grates)
 Grate Opening: $\frac{1}{4}$ "
 Open Surface Area: 4.86 Sq. Inch per Ft.
 Head Pressure / Flow Rate:
Head (inches) - Max Flow
 1" = 21.03 GPM
 0.5" = 14.87 GPM
 Weight per each: 1.0 lbs.
 Screw: #829 Stainless Steel Screw, 4 per grate.
 UV Inhibitors

Load Recommendation Guide



Class A

- Loads of 1-60 psi.
- Recommended for pedestrians, bicycles and wheel chair traffic.

ADA Compliant