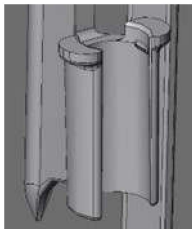
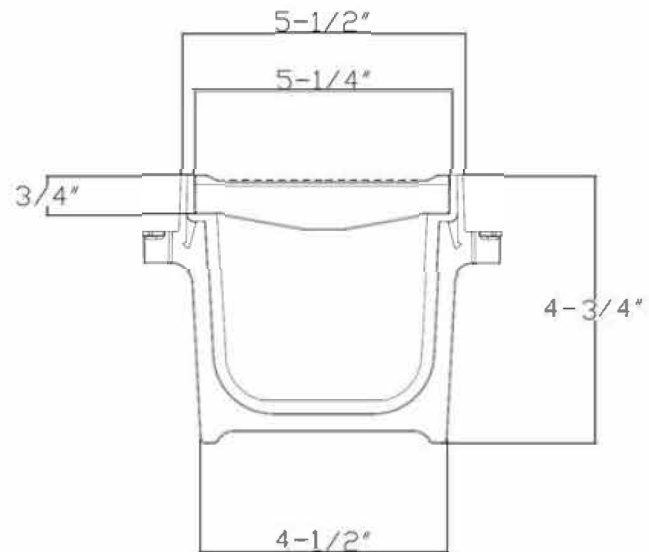


800 RADIUS COUPLING WITH GRATE



Detail of rebar



Part #: PSRC-864
 Material: Polypropylene with built in UV Inhibitor
 Color: Light Gray
 Fits: Use with Deep profile 5" Pro Series Channel(800, 864, and 864G*)
 Mechanical Interlocking Joints
 Rebar tie clips for easier installation: Fits #4 Rebar
 Weight Per Each: .30 lbs. per each.



(317)346-4110
www.drainagesolutionsinc.com