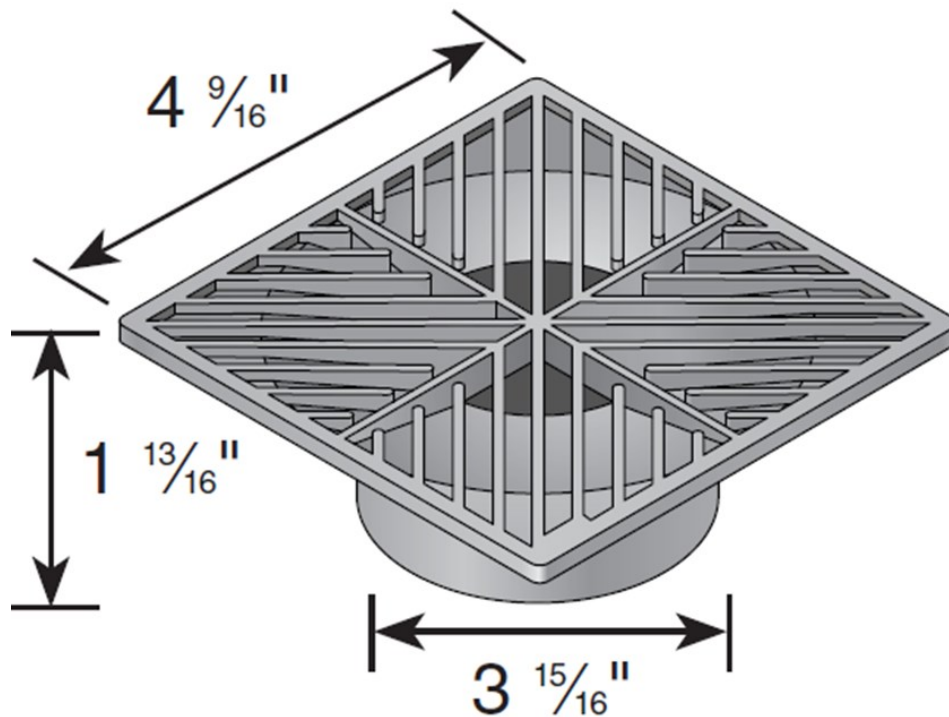


5" Square Grate



$\frac{3}{16}$ " Grate Opening

Part #: 7, 8, & 9
 Material: (HDP) High Density Polypropylene
 Color: #7(Green), #8(Black), & #9(Gray)
 Fits: 4" sewer and drain pipe & fittings, 4" corrugated and triple wall pipe.
 Grate Opening: $\frac{3}{16}$ "
 Open Surface Area: 4.25 Sq. Inches
 Head Pressure / Flow Rate:
Head (inches) - Max Flow
 1" = 18.39 GPM
 0.5" = 13.00 GPM
 Weight Per Each: 0.20 lbs.
 UV inhibitor

Load Recommendation Guide



Class A

- Loads of 1-60 psi.
- Recommended for pedestrians, bicycles and wheel chair traffic.

ADA Compliant/Heel-proof



**DRAINAGE
SOLUTIONS, INC**

(317) 346-4110

www.drainagesolutionsinc.com

