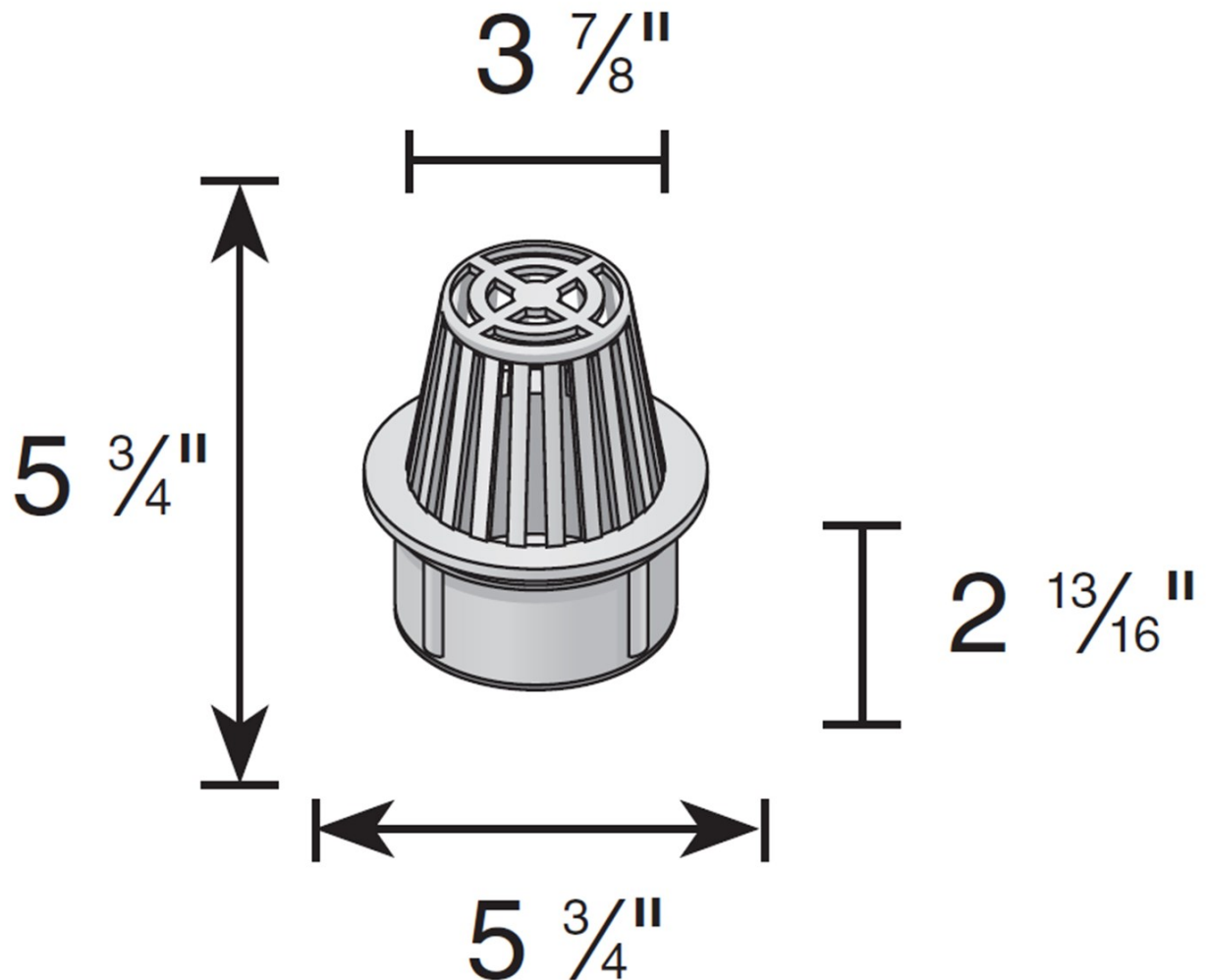


## 6" Atrium Brass Grate



Part #: 90B  
 Material: Brass  
 Color: Brass  
 Fits: Spee-D Basin, 6" sewer, drain, pipe & fittings, 6" corrugated pipe.  
 Grate Opening: 1/4"  
 Open Surface Area: 22.5 Sq. Inches  
 Head Pressure / Flow Rate:  
Head (inches) - Max Flow  
 1.0" = 97.34 GPM  
 0.5" = 68.83 GPM  
 Weight Per Each: 5.10 lbs.



**DRAINAGE  
SOLUTIONS, INC**

(317) 346-4110

[www.drainagesolutionsinc.com](http://www.drainagesolutionsinc.com)

