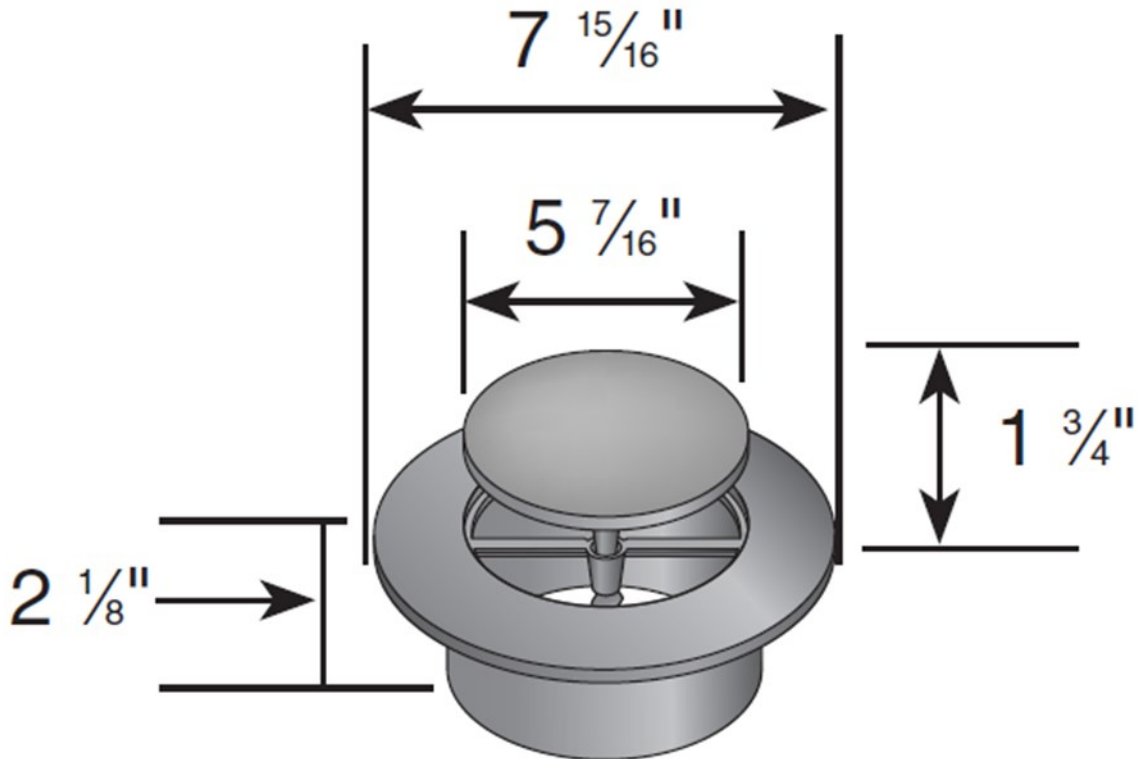


## 6" Pop-Up Drainage Emitter



Part #: 620  
 Material: High Density Polypropylene (HDPE)  
 Colors: Green  
 Fits: 6" sewer and drain fittings and NDS 6" Spee-D Basin  
 Spring: Stainless Steel Grade 302  
 Open Pressure: 1 PSI  
 Open Surface Area: 28.8 Sq. Inches  
 Flow Rate:  
 1" Head: 124.60 GPM  
 0.5" Head: 88.10 GPM  
 Weight Per Each: 0.64 lbs.  
 UV inhibitor

### Load Recommendation Guide



#### Class A

- Loads of 1-60 psi.
- Recommended for pedestrians, bicycles and wheel chair traffic.



**DRAINAGE  
SOLUTIONS, INC**

(317) 346-4110

[www.drainagesolutionsinc.com](http://www.drainagesolutionsinc.com)

