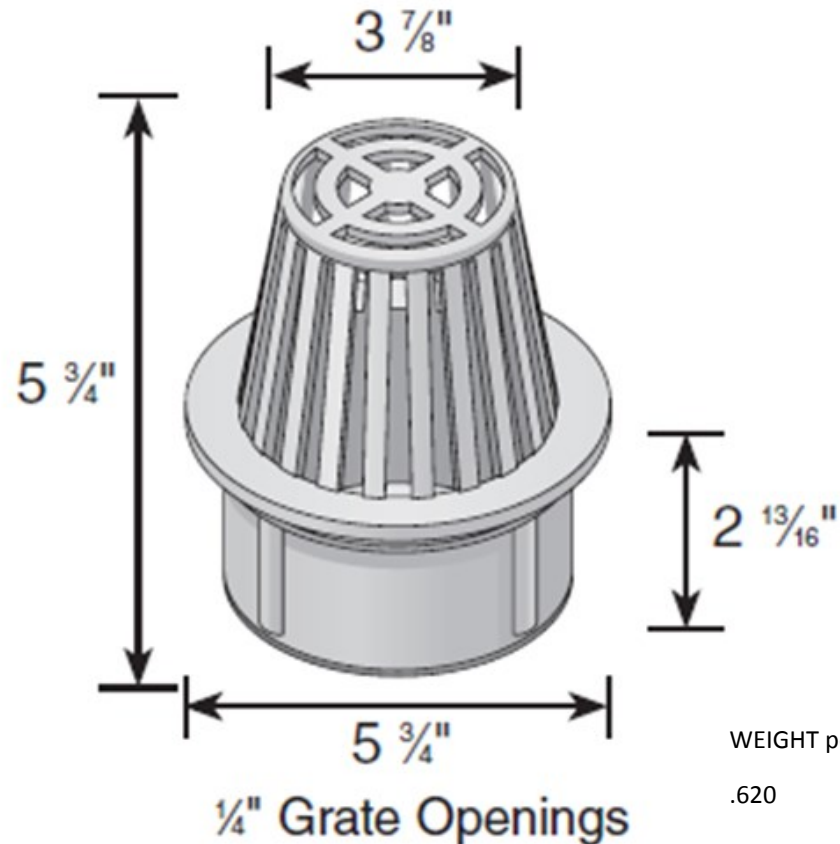


6" ATRIUM GRATE



Material: HDPE

Colors: Green (80), Gray (81), Black (90), Sand (90S)

Fits: Use with Spee-D Basin, 6" Sewer and Drain pipe and fittings, 6"

Corrugated pipe

Opening: 28.40 in² open space

Will accommodate 86.88 gallons per minute with 1/2" of head