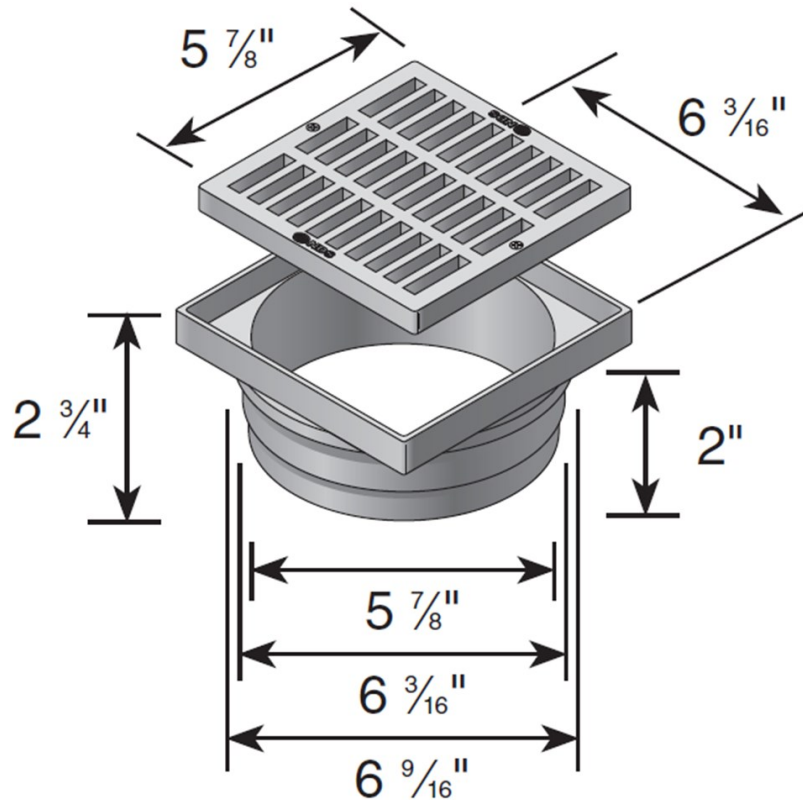


## 6" x 6" x 6" Square Grate & Adapter



Part #: 637, 638, & 639  
 Material: Grate (HDPE) High Density Polypropylene  
 Adapter ( HIPS) High Impact Polystyrene  
 Color: #637(Black), #638(Green), & #639(Gray)  
 Fits: Spee-D Basin, 6" sewer and drain pipe and fittings.  
 Grate Opening: 1/4"  
 Open Surface Area: 14.44 Sq. Inches  
 Head Pressure / Flow Rate:  
Head ( inches) - Max Flow  
 1" = 62.47 GPM  
 0.5" = 44.17 GPM  
 Weigh Per Each: 0.88 lbs.  
 UV inhibitor

### Load Recommendation Guide



#### Class A

- Loads of 1-60 psi.
- Recommended for pedestrians, bicycles and wheel chair traffic.

**ADA Compliant/Heel-proof**