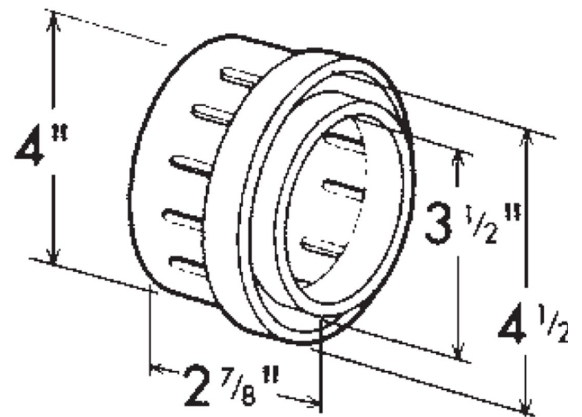
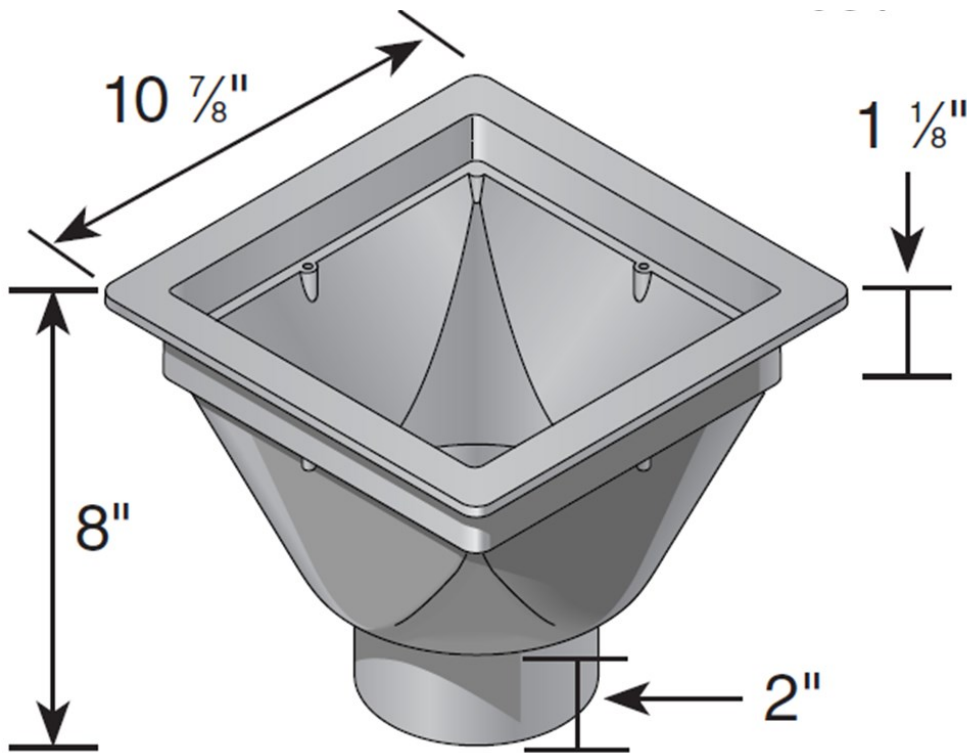


9" x 9" Deep Housing Spigot Adapter



Part #: 931
 Material: (HIPS) High Impact Polystyrene
 Color: Black
 Fits: 4" Corrugated pipe, use #933 to adapt to 4" sewer and drain pipe.
 Use with 9" x 9" Grate
 UV inhibitor
 Weight Per Each: 2.51 lbs.

Part #: 933
 Material: (HIPS) High Impact Polystyrene
 Color: Black
 Fits: 4" sewer and drain pipe, use housing adapter bushing with #931.
 Weight Per Each: 0.23 lbs.

