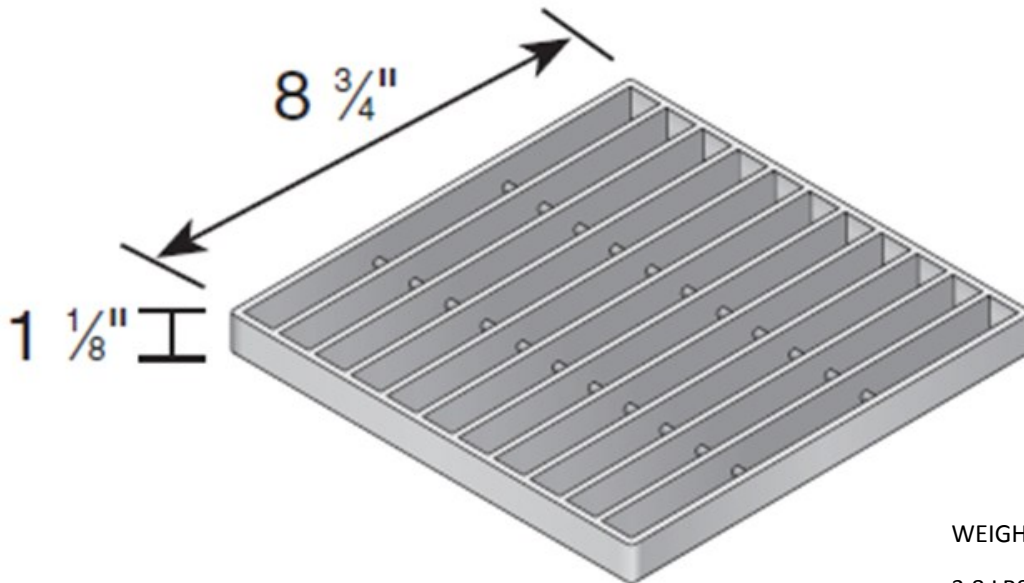


# 9" X 9" SQUARE GALVANIZED STEEL GRATE



WEIGHT per EACH:

3.8 LBS

**<sup>3</sup>/<sub>4</sub>" Grate Opening**

Material: Galvanized Steel  
Colors: Raw Galvanized Steel (915)  
Fits: Use with 9" X 9" Catch Basin series  
Opening: 61.94 in<sup>2</sup> open space  
Will accommodate 189.48 gallons per minute  
with 1/2" of head

## Load Recommendation Guide



### Class C

- Loads of 176-325 psi.
- Recommended for heavy-duty pneumatic tire forklifts and tractor trailers at speeds less than 20 m.p.h., H-20 rated.