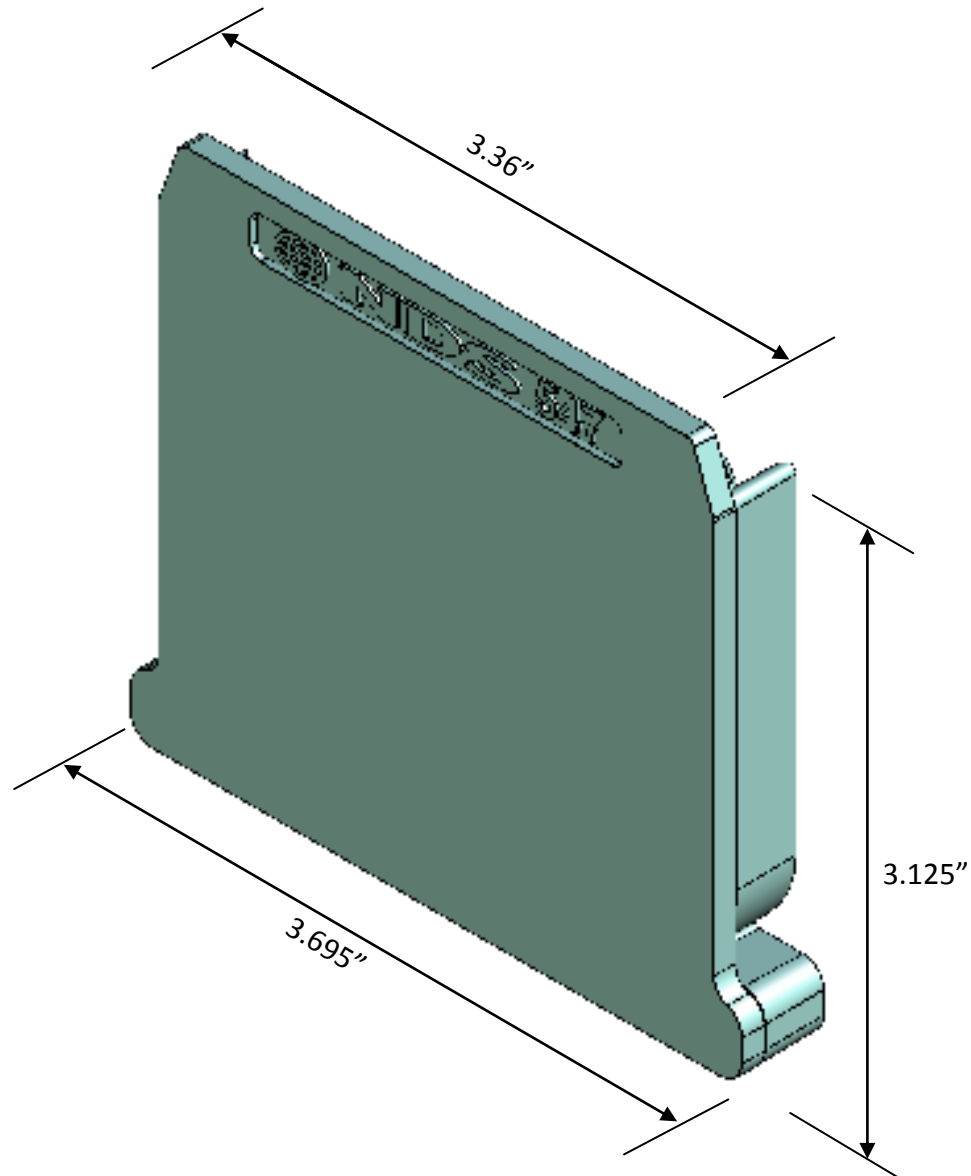


Mini Channel—Part #547 & 547S



**DRAINAGE
SOLUTIONS, INC**

(317)346-4110

www.drainagesolutionsinc.com

