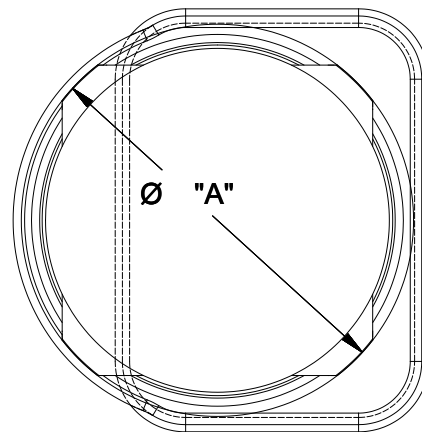
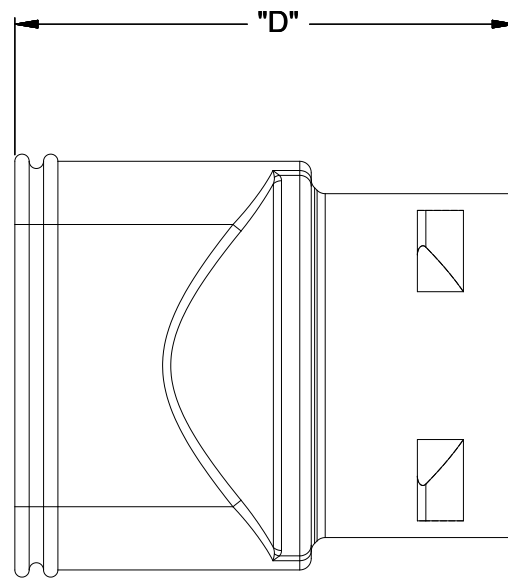
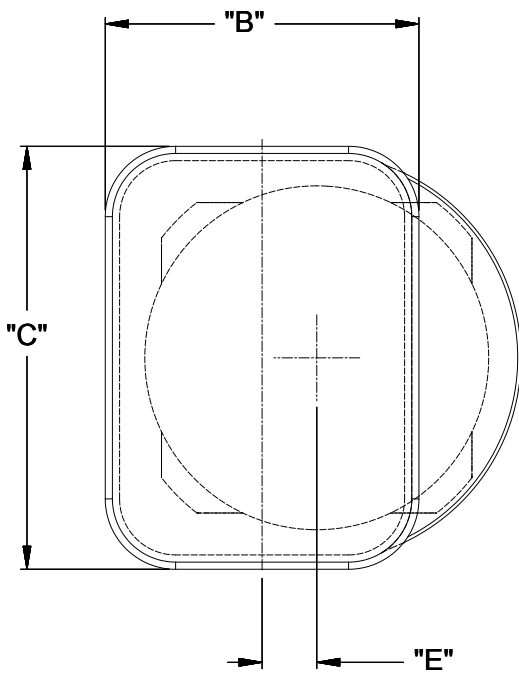


DOWNSPOUT ADAPTER

TECHNICAL INFORMATION

Part #	Size	Desc.	A	B	C	D	E
C-1703	2x3x3"	DSxI	3.375	2.486	3.375	4.375	.438
C-1704	2x3x4"	DSxI	4.25	2.312	3.25	4.375	1.0
C-1705	3x4x4"	DSxI	4.25	3.125	4.375	5.5	.75
C-1706	4x6x6"	DSxI	6.375	4.5	6.5	7.5	1.0



**DRAINAGE
SOLUTIONS, INC**

(317) 346-4110

www.drainagesolutionsinc.com

www.normandyproducts.com

T: 800.322.9463 | F: 800.910.0134

324 Delaware Avenue | PO Box 446 | Oakmont PA 15139