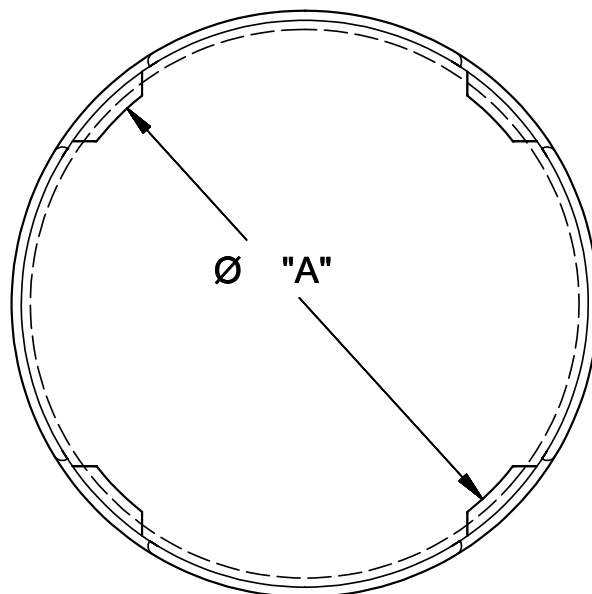
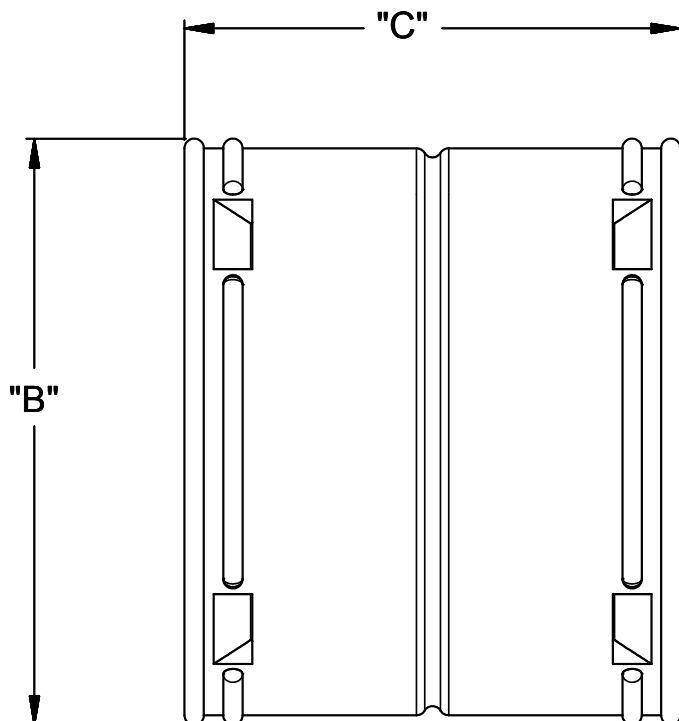


# EXTERNAL SNAP COUPLING

# TECHNICAL INFORMATION

Part #	Size	Desc.	A	B	C
C-104	4"	HxH	4.55	5.115	4.5
C-106	6"	HxH	6.520	7.56	6.675



**DRAINAGE  
SOLUTIONS, INC**

(317) 346-4110

[www.drainagesolutionsinc.com](http://www.drainagesolutionsinc.com)

[www.normandyproducts.com](http://www.normandyproducts.com)

T: 800.322.9463 | F: 800.910.0134

324 Delaware Avenue | PO Box 446 | Oakmont PA 15139