

TWO-WAY CLEANOUT

TECHNICAL INFORMATION



(317) 346-4110

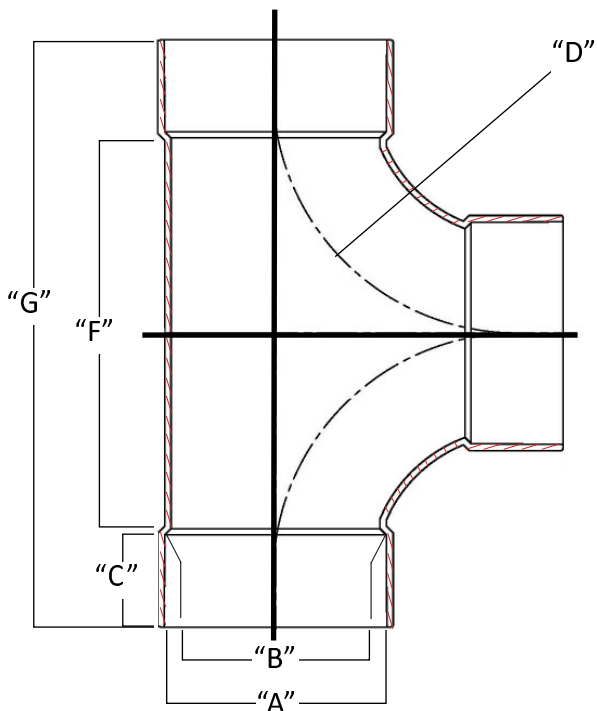
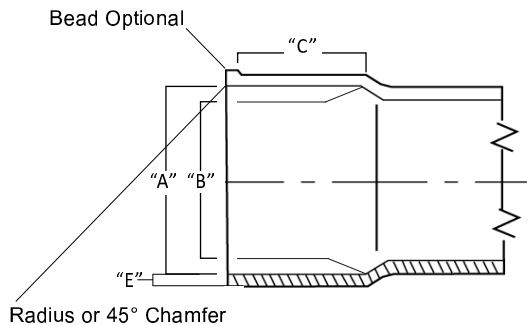
DRAINAGE SOLUTIONS, INC www.drainagesolutionsinc.com

Fittings Socket Dimensions - Inches

Nominal Size	A	B	C
4"	4.235±0.009	4.210±0.009	1.75
6"	6.305±0.011	6.270±0.011	3.000

Pipe Dimensions Minimum Wall Thickness

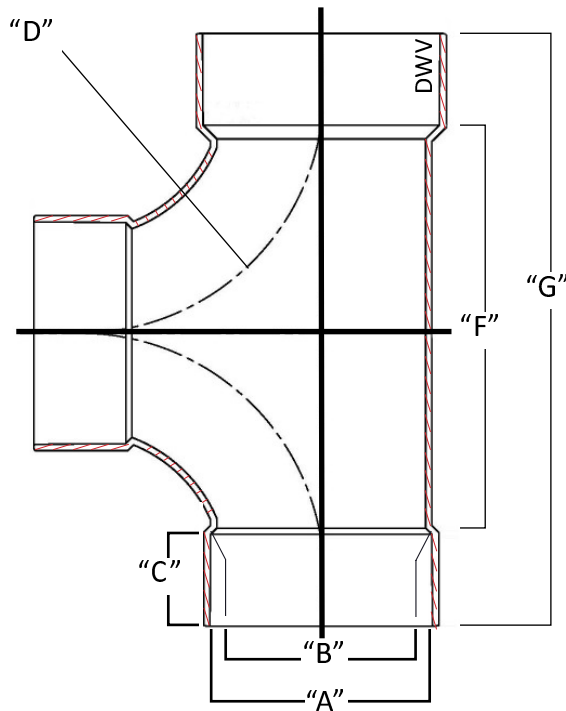
Outside Diameter		SDR 35	
Nominal Size	Average	Tolerance on Average	E
4"	4.215	±0.009	0.120
6"	6.275	±0.011	0.180



Two-Way Cleanout

Sewer Hub x Sewer Hub x Sewer Hub

Part #	Size	Desc.	D	F	G
V-2204	4"	H x H x H	4.796R	7.500	11.000



Two-Way Cleanout

Sewer Hub x Sewer Hub x DWV* Hub

Part #	Size	Desc.	D	F	G
V-2214	4"	H x DWV x H	4.796R	7.500	11.00

*DWV Hub conforms to ASTM D-2665

www.normandyproducts.com

T: 800.322.9463 | F: 800.910.0134

324 Delaware Avenue | PO Box 446 | Oakmont PA 15139