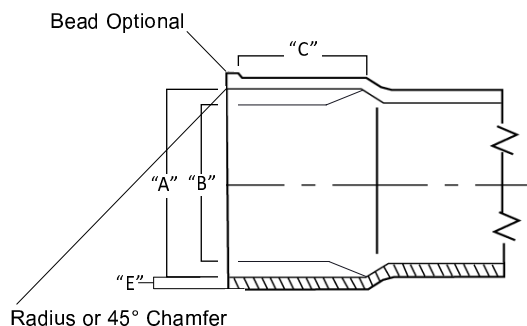


BUSHING

**DRAINAGE
SOLUTIONS, INC**

(317) 346-4110

www.drainagesolutionsinc.com
TECHNICAL INFORMATION

Fittings Socket Dimensions - Inches

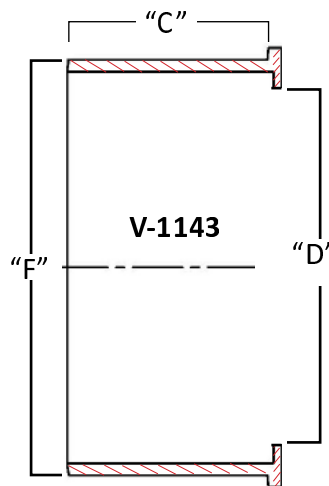
Nominal Size	A	B	C
4"	4.235±0.009	4.210±0.009	1.75
6"	6.305±0.011	6.270±0.011	3.000

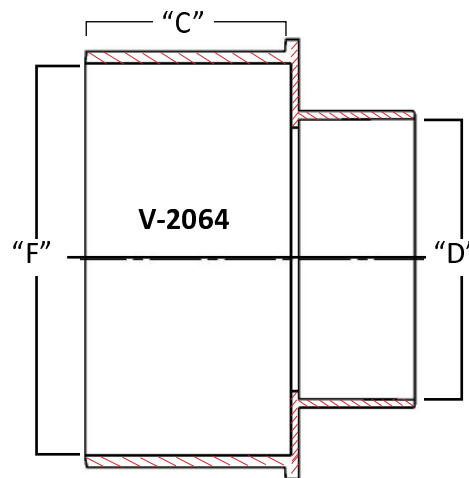
Pipe Dimensions Minimum Wall Thickness

Outside Diameter		SDR 35	
Nominal Size	Average	Tolerance on Average	E
4"	4.215	±0.009	0.120
6"	6.275	±0.011	0.180

Bushing
Sewer Spigot x Sewer Hub

Part #	Size	Desc.	D	F
V-1143	4x3"	Flush	3.271	4.215
V-2064	6x4"	Extended	4.235	6.275


V-1143

V-2064


Normandy Products are proudly
made in the USA.

www.normandyproducts.com

T: 800.322.9463 | F: 800.910.0134

324 Delaware Avenue | PO Box 446 | Oakmont PA 15139