

DOWNSPOUT ADAPTER

TECHNICAL INFORMATION

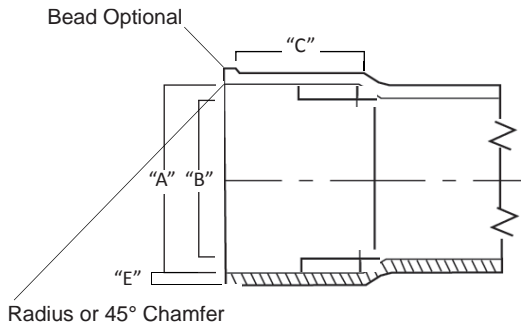


(317) 346-4110

DRAINAGE SOLUTIONS, INC. www.drainagesolutionsinc.com

Fittings Socket Dimensions - Inches

Nominal Size	A	B	C
4"	4.235±0.009	4.210±0.009	1.75
6"	6.305±0.011	6.270±0.011	3.000

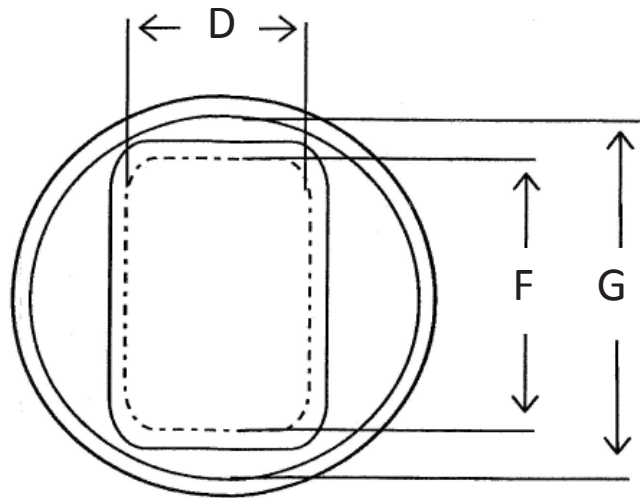


Pipe Dimensions Minimum Wall Thickness

Nominal Size	Outside Diameter		E
	Average	Tolerance on Average	
4"	4.215	±0.009	0.120
6"	6.275	±0.011	0.180

Downspot Adapter Downspout x Hub

Part #	Size	Desc.	D	F	G
V-1703	2x3x3"	DSxH	2.450	3.375	3.271
V-1704	2x3x4"	DSxH	2.450	3.375	4.235
V-1705	3x4x4"	DSxH	2.990	4.235	4.235



Normandy Products are proudly
made in the USA.

www.normandyproducts.com

T: 800.322.9463 | F: 800.910.0134

324 Delaware Avenue | PO Box 446 | Oakmont PA 15139