

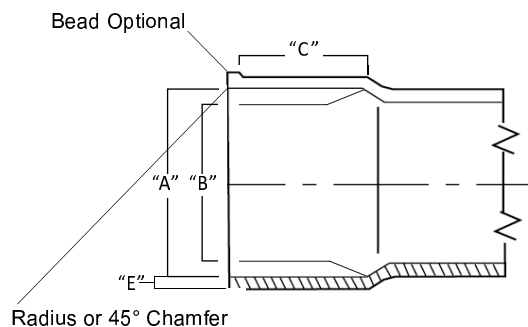
# COUPLING

# TECHNICAL INFORMATION



(317) 346-4110

**DRAINAGE SOLUTIONS, INC.** [www.drainagesolutionsinc.com](http://www.drainagesolutionsinc.com)



## Fittings Socket Dimensions - Inches

Nominal Size	A	B	C
4"	4.235±0.009	4.210±0.009	1.75
6"	6.305±0.011	6.270±0.011	3.000

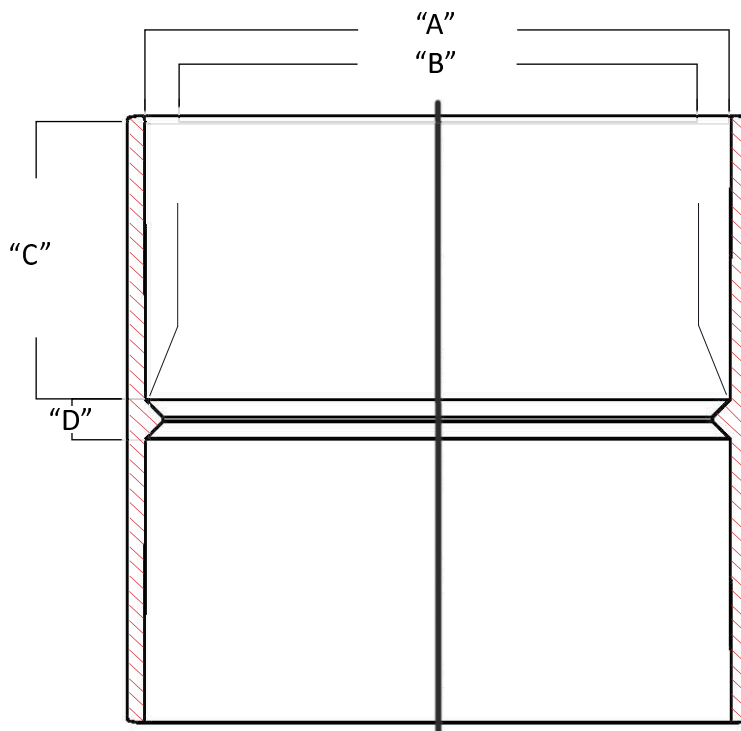
## Pipe Dimensions Minimum Wall Thickness

Outside Diameter		SDR 35	
Nominal Size	Average	Tolerance on Average	E
4"	4.215	±0.009	0.120
6"	6.275	±0.011	0.180

## Coupling

### Sewer Hub x Sewer Hub

Part #	Size	Desc.	D
V-104	4"	H x H	0.125
V-106	6"	H x H	0.187



**Normandy Products are proudly  
made in the USA.**

[www.normandyproducts.com](http://www.normandyproducts.com)

T: 800.322.9463 | F: 800.910.0134

324 Delaware Avenue | PO Box 446 | Oakmont PA 15139