

# REDUCER BUSHING

# TECHNICAL INFORMATION



(317) 346-4110

**DRAINAGE  
SOLUTIONS, INC**

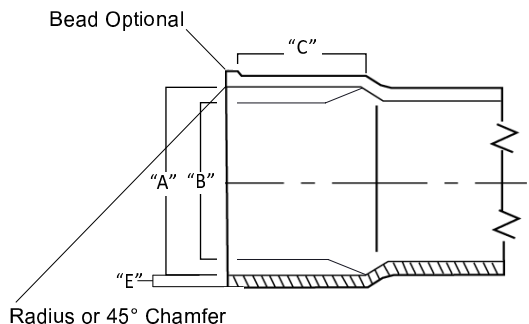
www.drainagesolutionsinc.com

## Fittings Socket Dimensions - Inches

Nominal Size	A	B	C
4"	4.235±0.009	4.210±0.009	1.75
6"	6.305±0.011	6.270±0.011	3.000

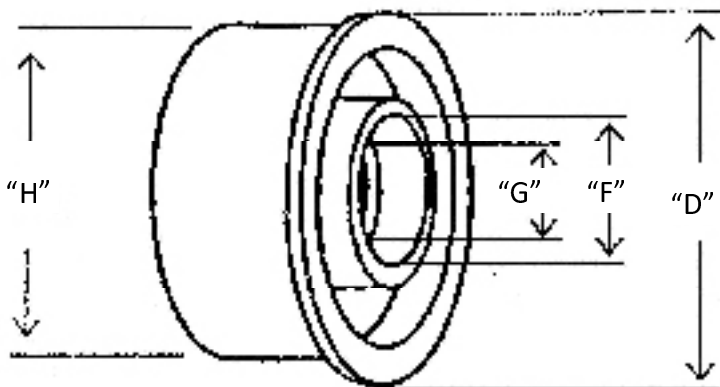
## Pipe Dimensions Minimum Wall Thickness

Outside Diameter		SDR 35	
Nominal Size	Average	Tolerance on Average	E
4"	4.215	±0.009	0.120
6"	6.275	±0.011	0.180



## Reducer Bushing Sewer Spigot x DWV Hub

Part #	Size	Desc.	D	F	G	H
V-1041	4x1.5"	Spg x DWV	4.470	1.915	1.894	4.215
V-1042	4x2"	Spg x DWV	4.470	2.390	2.369	4.215



Normandy Products are proudly  
made in the USA.

www.normandyproducts.com

T: 800.322.9463 | F: 800.910.0134

324 Delaware Avenue | PO Box 446 | Oakmont PA 15139