

REDUCER BUSHING

TECHNICAL INFORMATION



(317) 346-4110

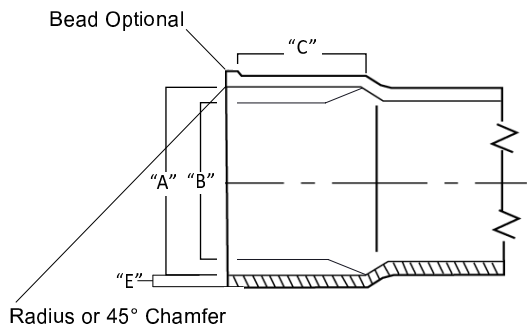
DRAINAGE SOLUTIONS, INC. www.drainagesolutionsinc.com

Fittings Socket Dimensions - Inches

| Nominal Size | A | B | C |
|--------------|-------------|-------------|-------|
| 3" | 3.271±0.008 | 3.245±0.008 | 1.500 |

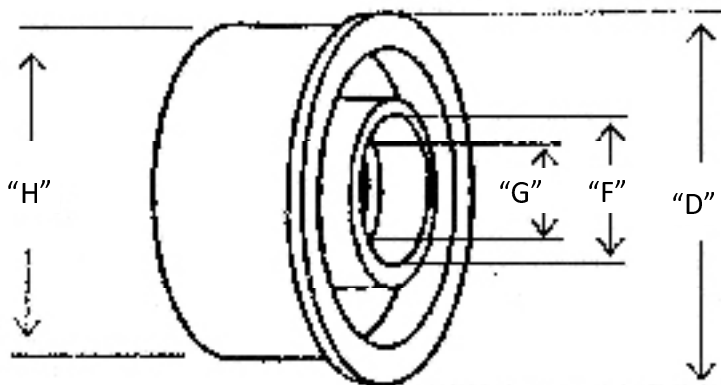
Pipe Dimensions Minimum Wall Thickness

| Pipe Dimensions | | Minimum Wall Thickness | |
|------------------|---------|------------------------|-------|
| Outside Diameter | | SDR 35 | |
| Nominal Size | Average | Tolerance on Average | E |
| 3" | 3.250 | ±0.008 | 0.100 |



Reducer Bushing Sewer Spigot x DWV Hub

| Part # | Size | Desc. | D | F | G | H |
|--------|--------|---------|-------|-------|-------|-------|
| V-1031 | 3x1.5" | SPGxDWV | 3.247 | 1.710 | 1.915 | 3.454 |



Normandy Products are proudly
made in the USA.

www.normandyproducts.com

T: 800.322.9463 | F: 800.910.0134

324 Delaware Avenue | PO Box 446 | Oakmont PA 15139