

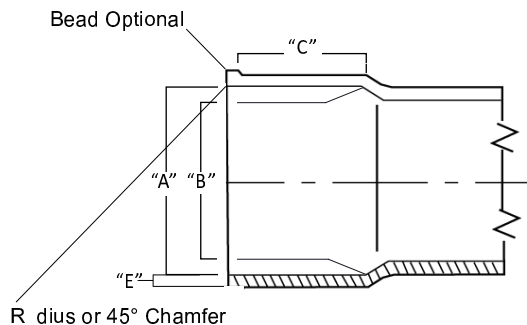
FEMALE ADAPTER

TECHNICAL INFORMATION



(317) 346-4110

DRAINAGE SOLUTIONS, INC www.drainagesolutionsinc.com



Fittings Socket Dimensions - Inches

Nominal Size	A	B	C
4"	4.235±0.009	4.210±0.009	1.75
6"	6.305±0.011	6.270±0.011	3.000

Pipe Dimensions Minimum Wall Thickness

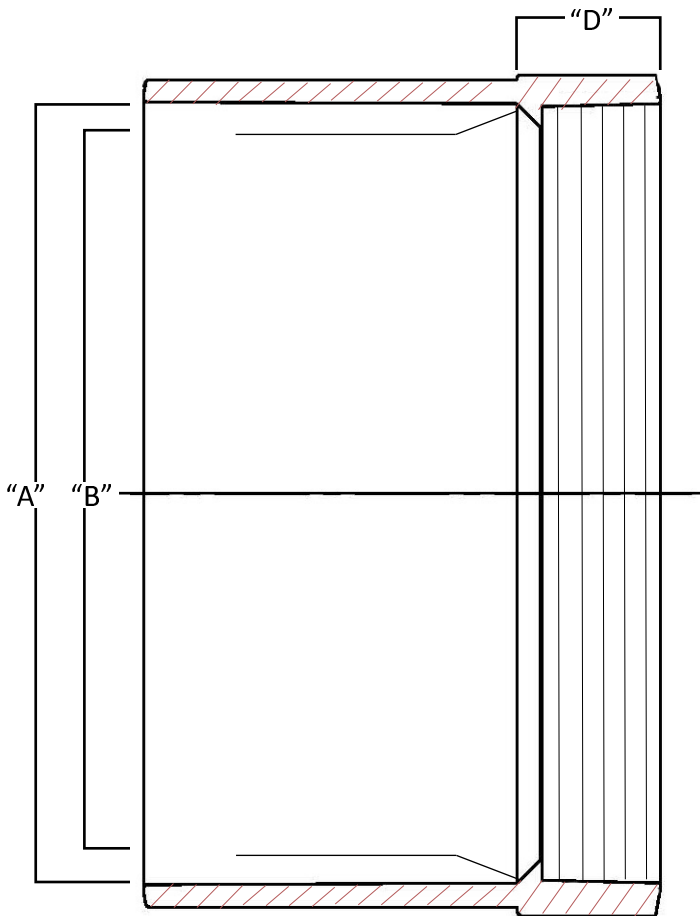
Outside Diameter		SDR 35	
Nominal Size	Average	Tolerance on Average	E
4"	4.215	±0.009	0.120
6"	6.275	±0.011	0.180

Female Adapter Sewer Hub x FIP

Part #	Size	Desc.	D
V-2104	4"	Hub x FIP	1.625
V-2106	6"	Hub x FIP	2.031



**Normandy Products are proudly
made in the USA.**



www.normandyproducts.com

T: 800.322.9463 | F: 800.910.0134

324 Delaware Avenue | PO Box 446 | Oakmont PA 15139