

# FITTING CLEANOUT

# TECHNICAL INFORMATION



(317) 346-4110

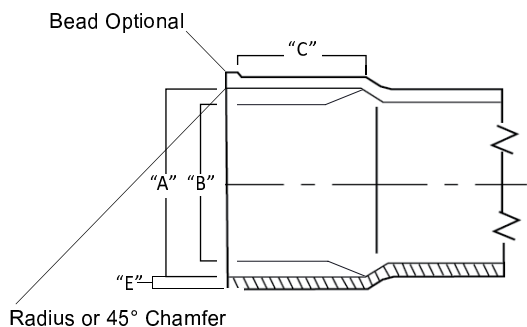
**DRAINAGE SOLUTIONS, INC.** www.drainagesolutionsinc.com

### Fittings Socket Dimensions - Inches

| Nominal Size | A           | B           | C     |
|--------------|-------------|-------------|-------|
| 4"           | 4.235±0.009 | 4.210±0.009 | 1.75  |
| 6"           | 6.305±0.011 | 6.270±0.011 | 3.000 |

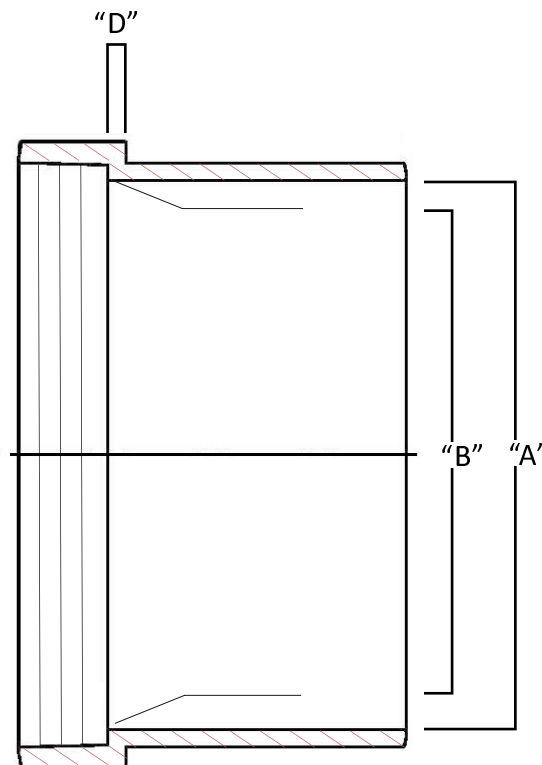
### Pipe Dimensions Minimum Wall Thickness

| Pipe Dimensions         |         | Minimum Wall Thickness |       |
|-------------------------|---------|------------------------|-------|
| <i>Outside Diameter</i> |         | <i>SDR 35</i>          |       |
| Nominal Size            | Average | Tolerance on Average   | E     |
| 4"                      | 4.215   | ±0.009                 | 0.120 |
| 6"                      | 6.275   | ±0.011                 | 0.180 |



## Fitting Cleanout Sewer Spigot x FIP

| Part # | Size | Desc.     | D     |
|--------|------|-----------|-------|
| V-1904 | 4"   | Spg x FIP | 0.125 |
| V-1906 | 6"   | Spg x FIP | 0.218 |



**Normandy Products are proudly  
made in the USA.**

www.normandyproducts.com

T: 800.322.9463 | F: 800.910.0134

324 Delaware Avenue | PO Box 446 | Oakmont PA 15139