

90° 1/4 BEND LONG TURN | TECHNICAL INFORMATION



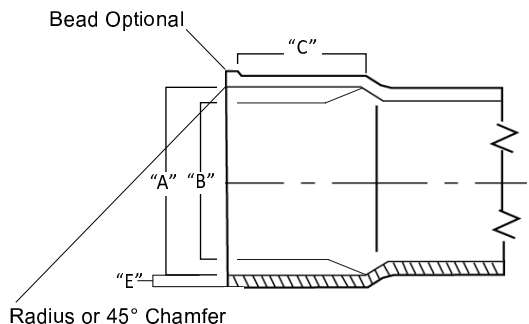
(317) 346-4110

DRAINAGE SOLUTIONS, INC. www.drainagesolutionsinc.com

Fittings Socket Dimensions - Inches

Nominal Size	A	B	C
3"	3.271±0.008	3.245±0.008	1.50

Pipe Dimensions		Minimum Wall Thickness	
<i>Outside Diameter</i>		<i>SDR 35</i>	
Nominal Size	Average	Tolerance on Average	E
3"	3.250	±0.008	0.100

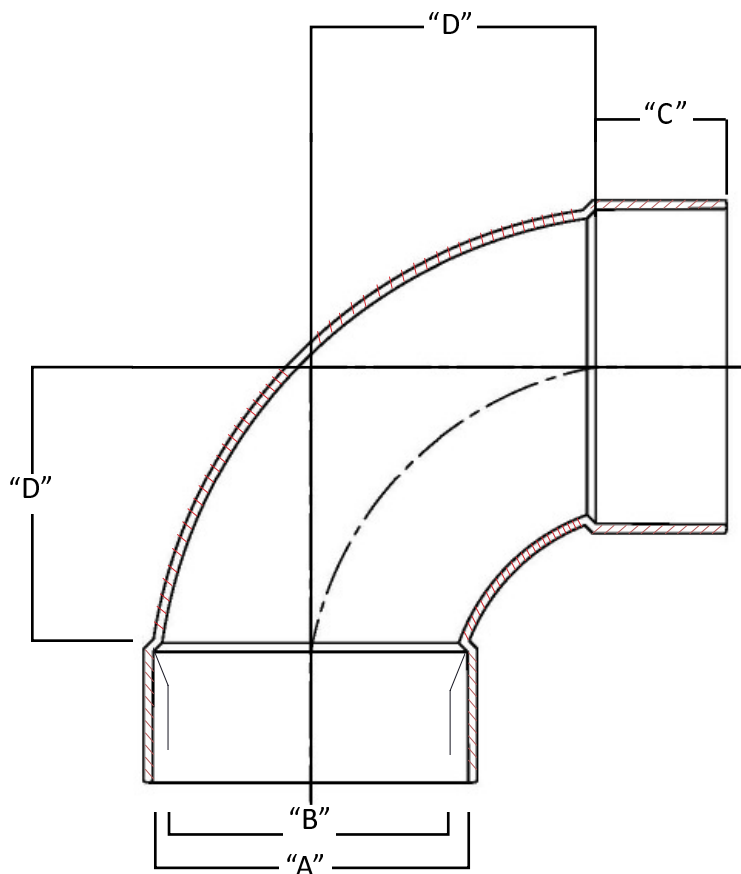


90° 1/4 Bend Long Turn Sewer Hub x Sewer Hub

Part #	Size	Desc.	D
V-303	3"	HxH	2.875



Normandy Products are proudly
made in the USA.



www.normandyproducts.com

T: 800.322.9463 | F: 800.910.0134

324 Delaware Avenue | PO Box 446 | Oakmont PA 15139