

90° 1/4 BEND

STREET ELL LONG TURN

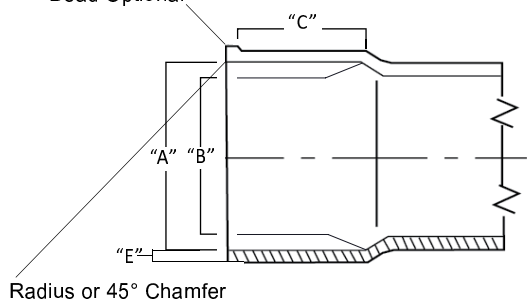
TECHNICAL INFORMATION



(317) 346-4110

DRAINAGE SOLUTIONS, INC. www.drainagesolutionsinc.com

Bead Optional



Radius or 45° Chamfer

Fittings Socket Dimensions - Inches

Nominal Size	A	B	C
4"	4.235±0.009	4.210±0.009	1.75
6"	6.305±0.011	6.270±0.011	3.000

Pipe Dimensions

Minimum Wall Thickness

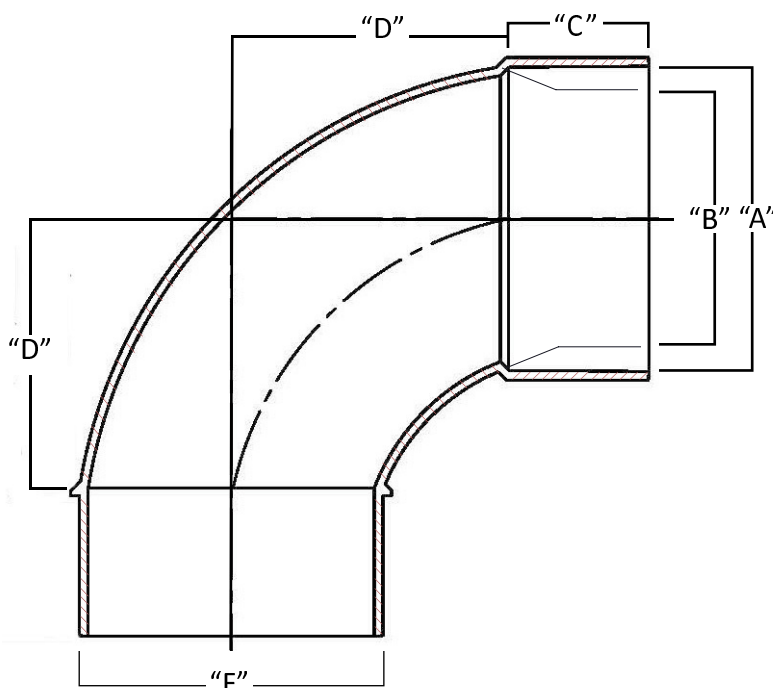
Outside Diameter		SDR 35	
Nominal Size	Average	Tolerance on Average	E
4"	4.215	±0.009	0.120
6"	6.275	±0.011	0.180

90° 1/4 Bend Street Ell Long Turn Sewer Hub x Sewer Spigot

Part #	Size	Desc.	D	F
V-404	4"	Hub x Spg	3.687	4.215
V-466	6"	Hub x Spg	5.187	6.275



Normandy Products are proudly
made in the USA.



www.normandyproducts.com

T: 800.322.9463 | F: 800.910.0134

324 Delaware Avenue | PO Box 446 | Oakmont PA 15139