



(317) 346-4110

 www.drainagesolutionsinc.com
 SOLUTIONS, INC

90° 1/4 BEND

STREET ELL SHORT TURN

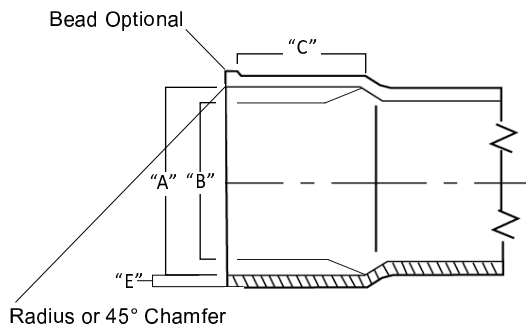
TECHNICAL INFORMATION

Fittings Socket Dimensions - Inches

Nominal Size	A	B	C
4"	4.235±0.009	4.210±0.009	1.75
6"	6.305±0.011	6.270±0.011	3.000

Pipe Dimensions Minimum Wall Thickness

Outside Diameter		SDR 35	
Nominal Size	Average	Tolerance on Average	E
4"	4.215	±0.009	0.120
6"	6.275	±0.011	0.180



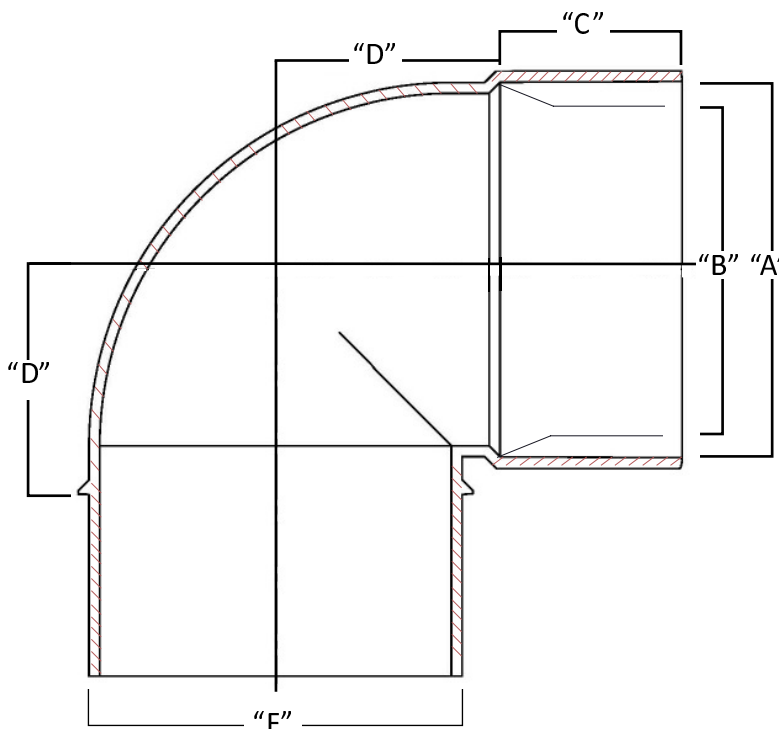
90° 1/4 Bend Street Ell Short Turn

Sewer Hub x Sewer Spigot

Part #	Size	Desc.	D	F
V-3404	4"	Hub x Spg	2.156	4.215
V-406	6"	Hub x Spg	3.187	6.275



Normandy Products are proudly
made in the USA.


www.normandyproducts.com

T: 800.322.9463 | F: 800.910.0134

324 Delaware Avenue | PO Box 446 | Oakmont PA 15139