

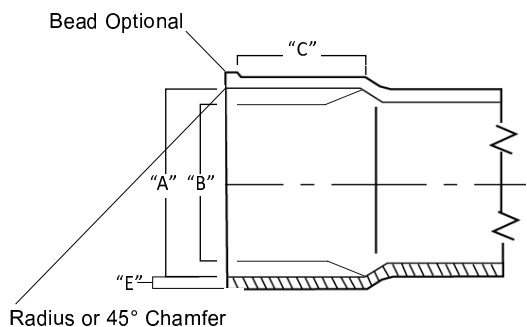
(317) 346-4110

www.drainagesolutionsinc.com
Fittings Socket Dimensions - Inches

Nominal Size	A	B	C
4"	4.235±0.009	4.210±0.009	1.75
6"	6.305±0.011	6.270±0.011	3.000

Pipe Dimensions Minimum Wall Thickness

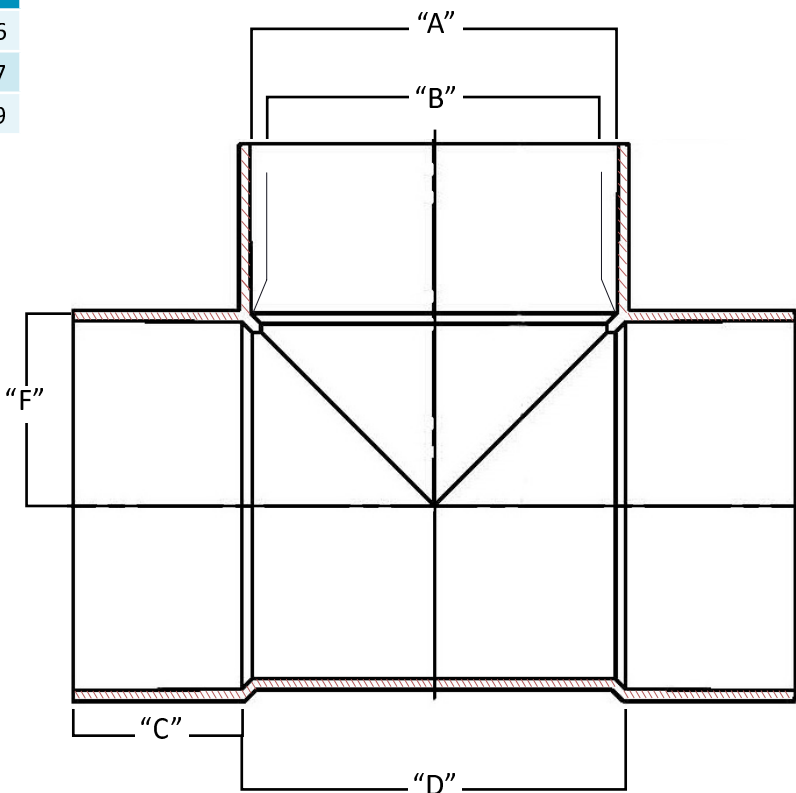
Outside Diameter		SDR 35	
Nominal Size	Average	Tolerance on Average	E
4"	4.215	±0.009	0.120
6"	6.275	±0.011	0.180


Tee
Sewer Hub x Sewer Hub x Sewer Hub

Part #	Size	Desc.	D	F
V-804	4"	HxHxH	4.313	2.156
V-806	6"	HxHxH	6.375	3.187
V-8064	6x4"	HxHxH	6.375	3.219



V-8064

**Normandy Products are proudly
made in the USA.**

www.normandyproducts.com

T: 800.322.9463 | F: 800.910.0134

324 Delaware Avenue | PO Box 446 | Oakmont PA 15139