



PIPE TOOLS & VISES
SINCE 1896



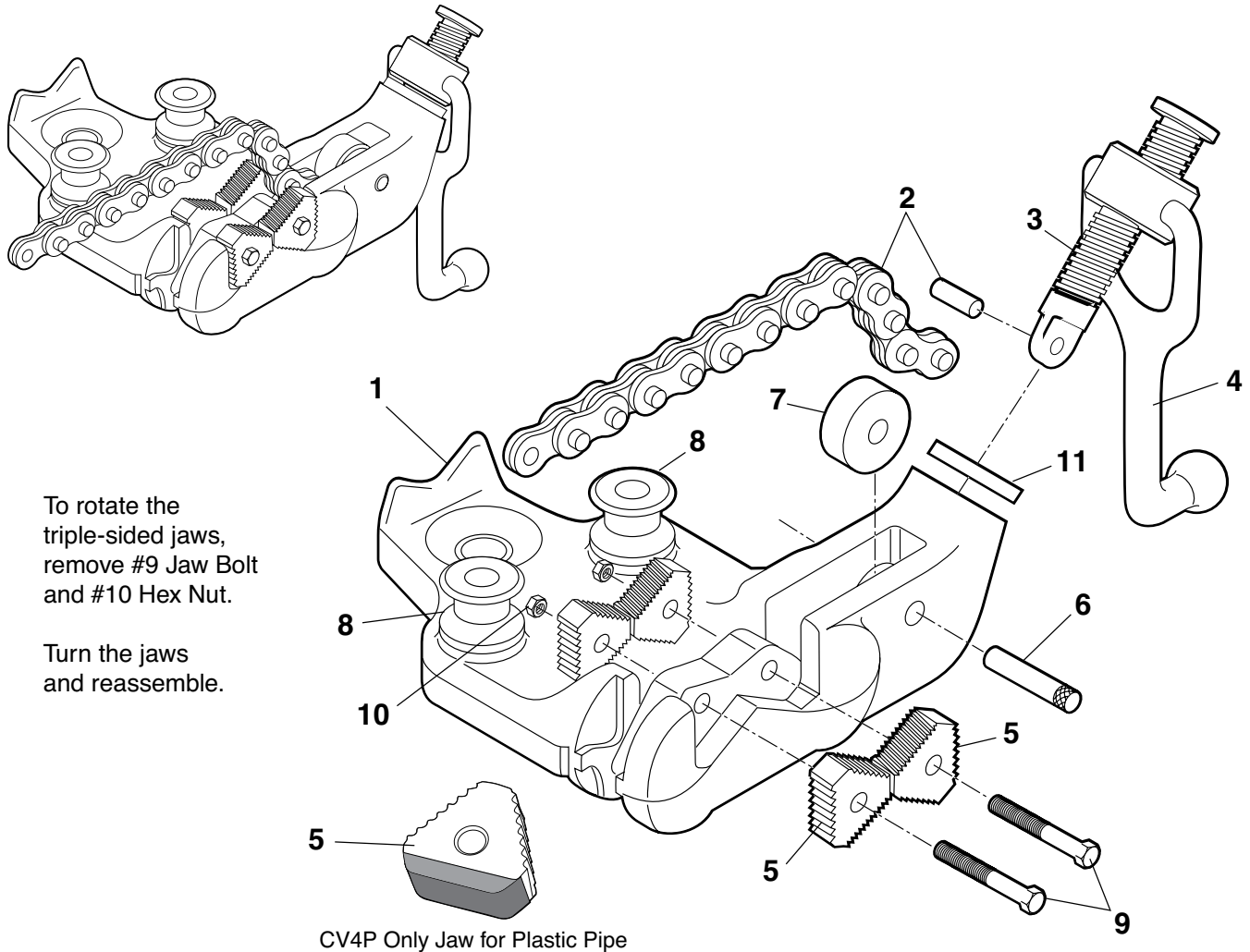
**DRAINAGE
SOLUTIONS, INC.**

(317) 346-4110

www.drainagesolutionsinc.com

Chain Vises (and CV4P)

Replacement Parts



To rotate the triple-sided jaws, remove #9 Jaw Bolt and #10 Hex Nut.

Turn the jaws and reassemble.

CV4P Only Jaw for Plastic Pipe

Parts List

Ref. No.	Description	CV2 #02510 Item Code	CV4 #02520 Item Code	CV5 #02530 Item Code	CV6 #02540 Item Code	CV8 #02550 Item Code	CV12 #02560 Item Code	CV4P #04452 Item Code	Qty.
1	Base	92054	92062	92062	92064	92073	92082	92062	1
2	Chain & Pin	92504	92414	99013**	92533	92543	92553	92414	1
3	Screw Assembly	94457	94457	94457	94458	94459	94460	94457	1
4	Screw Handle	92007	92007	92007	92003	92003	92003	92007	1
5	Jaw	92501	92511	92511	92531	92541	92551	94452*	4
6	Roller Pin	92056	92056	92056	92067	92067	92085	92056	1
7	Roller	92010	92010	92010	92066	92075	92084	92010	1
8	Spool	92055	92063	92063	92063	92074	92083	92063	2
9	Jaw Bolt	30109	30021	30021	30082	30084	30085	30021	2
10	Hex Nut	30123	30142	30142	30037	30037	30064	30142	2
11	Screw Washer	92061	92061	92061	92071	92079	92089	92061	1

*Jaw for Plastic Pipe. ****If PIN only is needed for CV5, order Chain Screw Pin #92122

Reed Manufacturing Company
1425 West 8th Street
Erie, PA 16502 USA



Phone: 800-666-3691 or 814-452-3691
Fax: 800-456-1697 or 814-455-1697
www.reedmfgco.com

RP-1114-83