



PIPE TOOLS & VISES
SINCE 1896



**DRAINAGE
SOLUTIONS, INC**

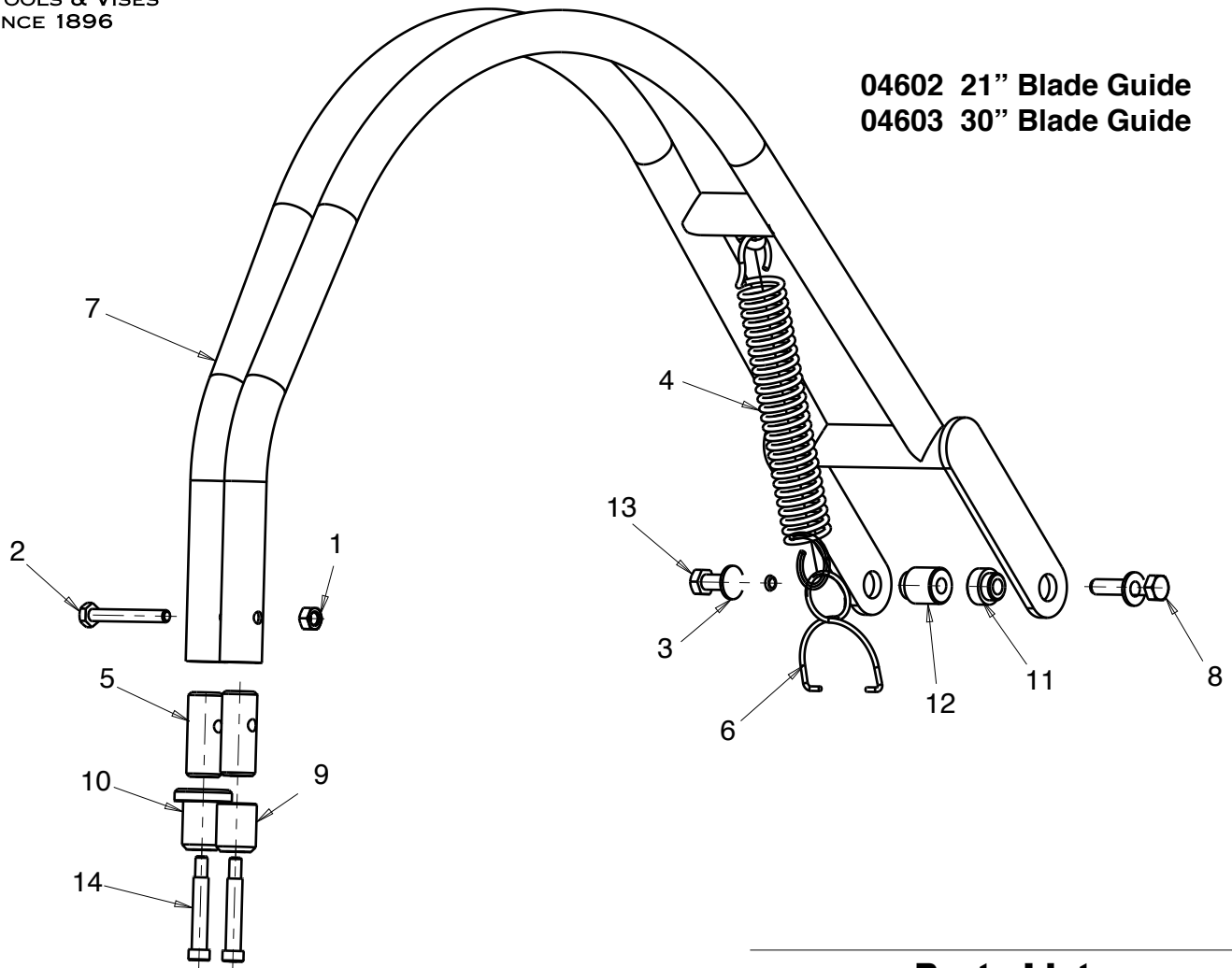
(317) 346-4110

www.drainagesolutionsinc.com

Saw It® Blade Guide

Replacement Parts

04602 21" Blade Guide
04603 30" Blade Guide



Parts List

Ref. No.	Description	Item Code	Qty
1	NUT-STEEL COURSE PITCH 1/4-20 UNC	30123	1
2	HEX BOLT - 1/4-20 X 2"	30109	1
3	FLAT WASHER 5/16	30180	2
4	EXTENSION SPRING	30304	1
5	ROLLER MOUNT	94607	2
6	BOW SPRING	94612	1
7a	SAW GUIDE 21"	94605	1
7b	SAW GUIDE 30"	94613	1
8	HEX BOLT - M8X1.25, 40mm	30249	1
9	SIDE ROLLER	94608	1
10	SIDE ROLLER	94609	1
11	LEFT INSERT	94610	1
12	RIGHT INSERT	94611	1
13	HEX BOLT - M8X1.25, 45mm	30255	1
14	SHOULDER BOLT 5/16 DIA X 2 LG	34287	2

Reed Manufacturing Company
1425 West 8th Street
Erie, PA 16502 USA

QUALITY
& Service
that Last a Lifetime

Phone: 800-666-3691 or 814-452-3691
Fax: 800-456-1697 or 814-455-1697
www.reedmfgco.com

RP-312-113