

ADJUSTABLE HEIGHT PAVER DRAIN

Installation Instructions

STEGMEIER
LLC



STEP 1. Check the carton to ensure that no contents are missing. Carton includes 8 pieces of base, 8 pieces of top cap and 8 couplers.

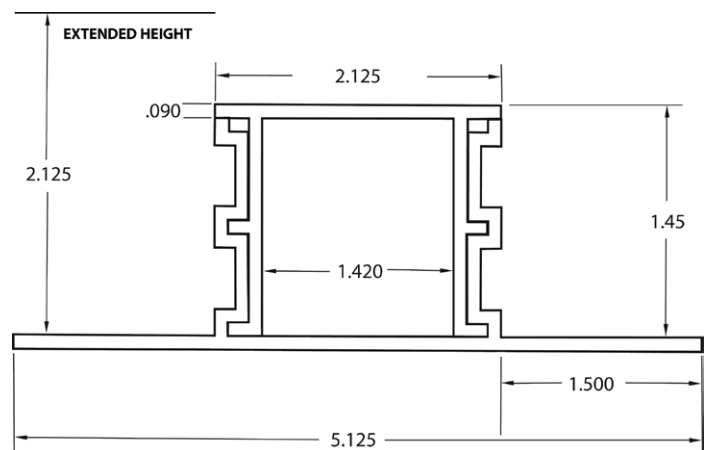
STEP 2. Lay out all drain sections and fittings (sold separate) to ensure you have all materials for the installation.

STEP 3. Assemble the top cap and base sections together to the desired height.

STEP 4. Place the couplers into position. The use of adhesives is recommended.

STEP 5. Set the drain to grade with a level, transit, string line or like tool.

STEP 6. After the pavers are completely set, remove the protective tape from the top of the drain.



DRAINAGE SOLUTIONS, INC www.drainagesolutionsinc.com

(317) 346-4110

As conditions and methods of use of our products are beyond our control, we offer these products in good faith but without guarantee either expressed or implied.

For technical support, call (800) 382-5430 • www.stegmeier.com

DOWNLOAD THE STEGMEIER LLC APP

