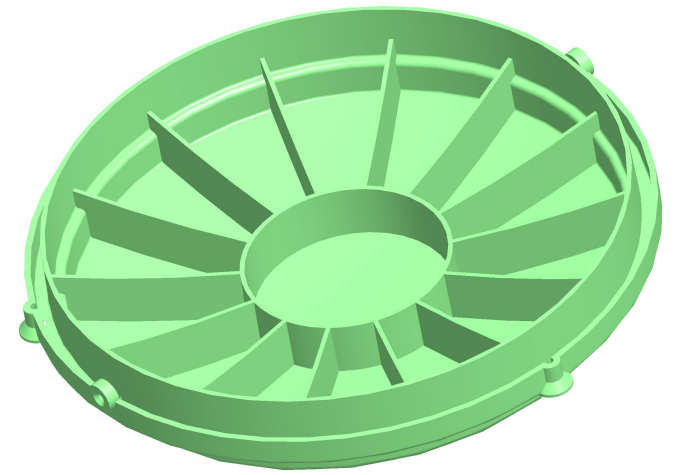
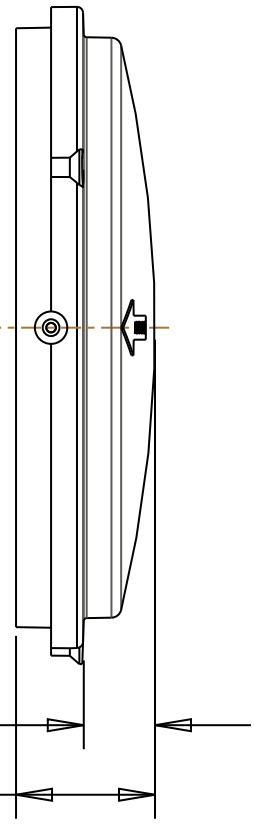
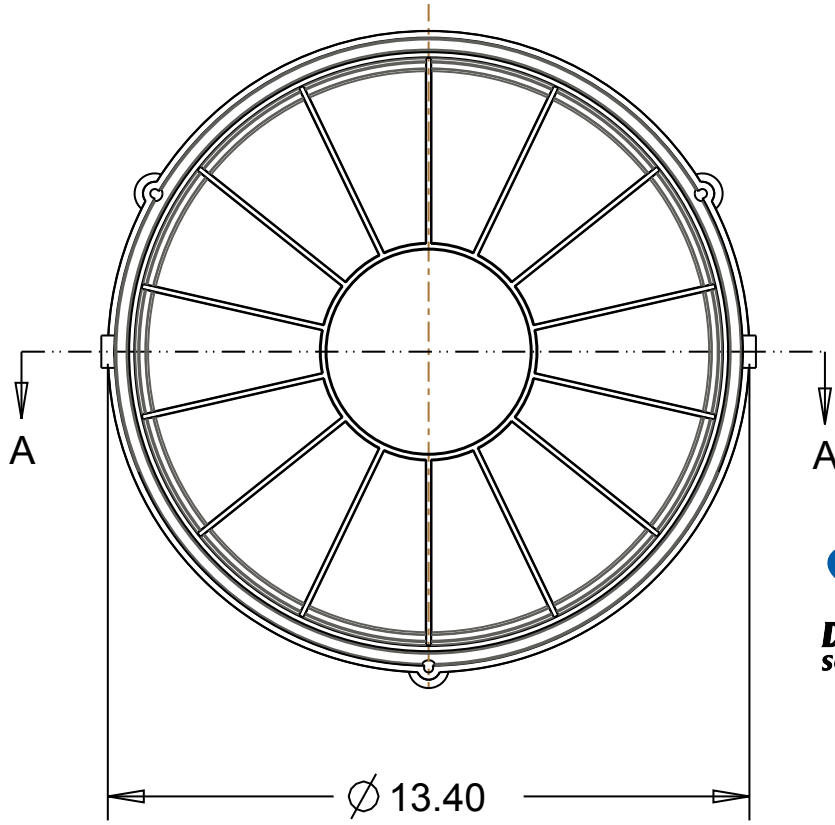
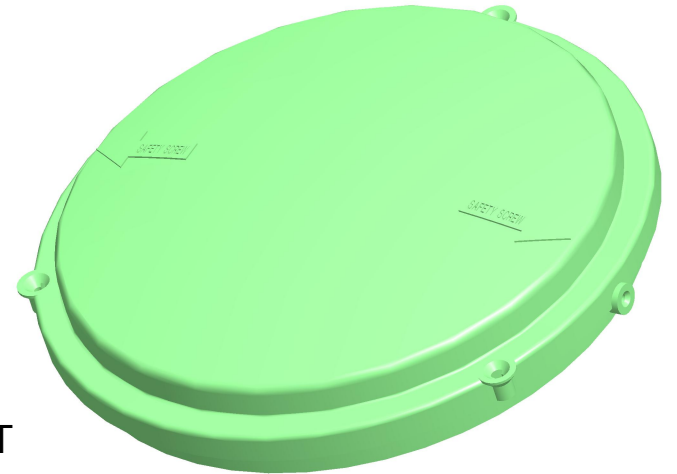


SECTION A-A

PERMANENT FOAMED-IN POLYURETHANE GASKET



Material: Copolymer Polypropylene
Color: Green



Drainage and Septic Products

(317) 346-4110

www.drainagesolutionsinc.com

PART NAME:
12" RISER LID

PART #:
12 - RISL - GREEN