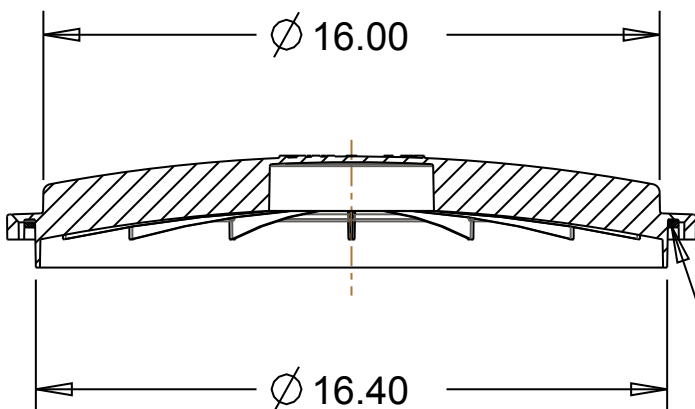




DRAINAGE SOLUTIONS, INC

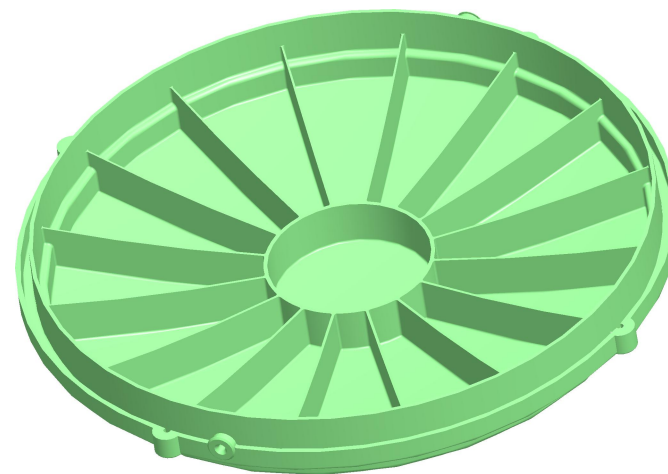
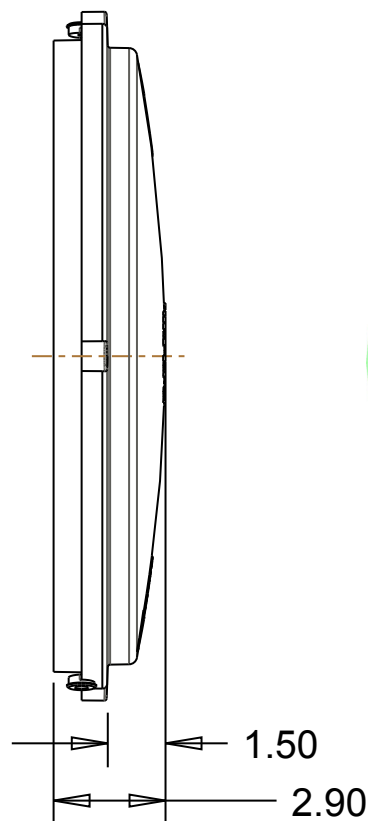
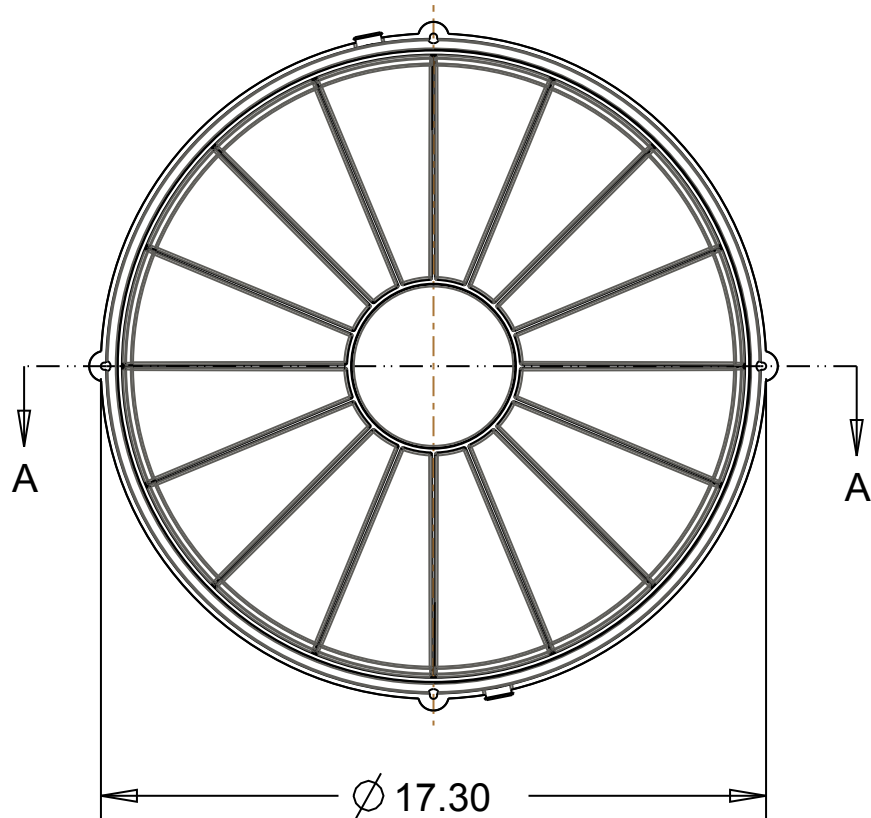
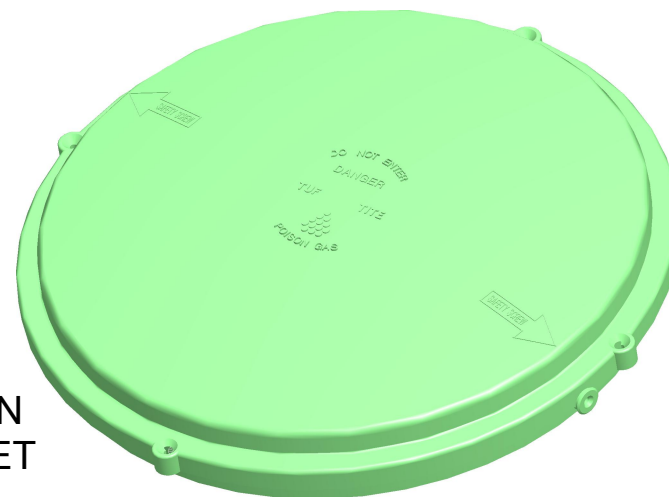
(317) 346-4110

www.drainagesolutionsinc.com



SECTION A-A

PERMANENT FOAMED-IN POLYURETHANE GASKET



Material: Copolymer Polypropylene
Color: Green



Drainage and Septic Products

(317) 346-4110

www.drainagesolutionsinc.com

PART NAME: 16" RISER LID

PART #: 16 - RISL - GREEN