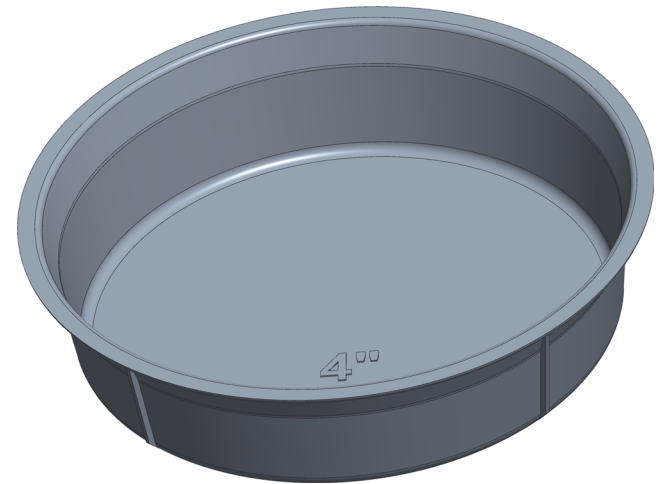
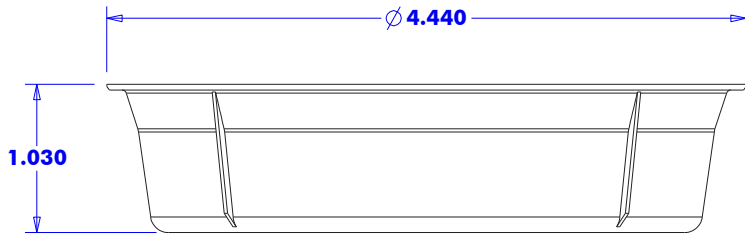


SECTION A-A



Drainage and Septic Products

PART NAME:

PIPE PLUG

PART #:

P-40



1111 2025 SYWagfa' e' Ua_