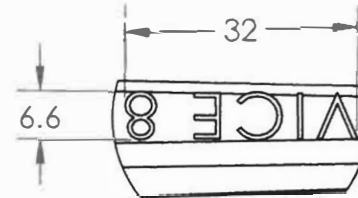


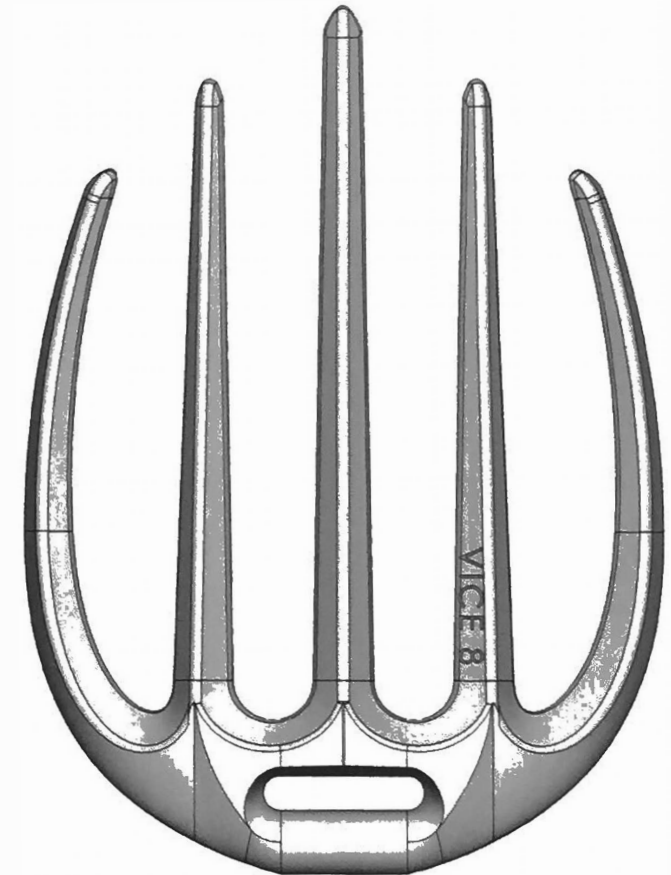
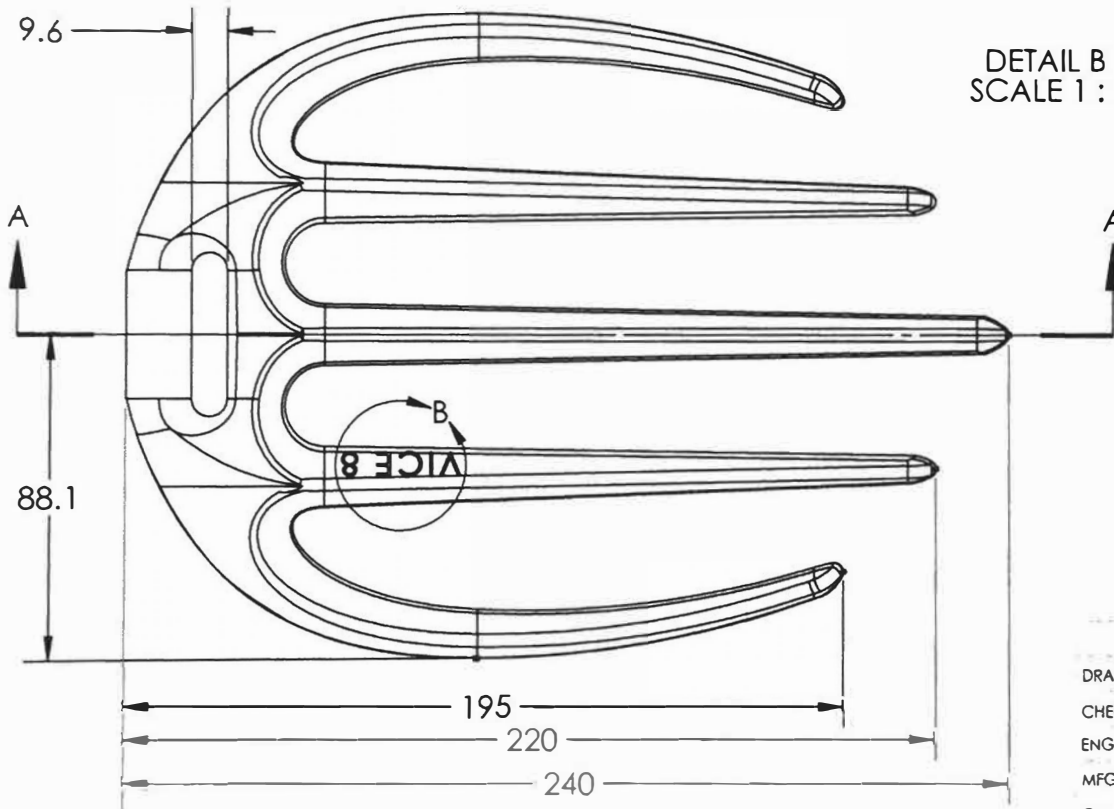
(317) 346-4110
www.drainagesolutionsinc.com

VICE BROS
Vice Brothers Inc

SECTION A-A
SCALE 1 : 2



DETAIL B
SCALE 1 : 1



DRAWN	NAME	DATE
BKB	BKB	20140203
CHECKED	TITLE:	
ENG APPR.	8" ANIMAL GUARD	
MFG APPR.	SIZE DWG. NO.	
Q.A.	A 8 Animal Guard	
COMMENTS:	REV 00	

8" ANIMAL GUARD

SCALE: 1:2 WEIGHT: SHEET 1 OF 1

PROPRIETARY AND CONFIDENTIAL

THE INFORMATION CONTAINED IN THIS DRAWING IS THE SOLE PROPERTY OF VICE BROTHERS INC. ANY REPRODUCTION IN PART OR AS A WHOLE WITHOUT THE WRITTEN PERMISSION OF VICE BROTHERS INC IS PROHIBITED.

MATERIAL Aluminum 319
FINISH GROUND

DO NOT SCALE DRAWING

VICE BROS
Vice Brothers Inc

5

4

3

2

1

APPLICATION