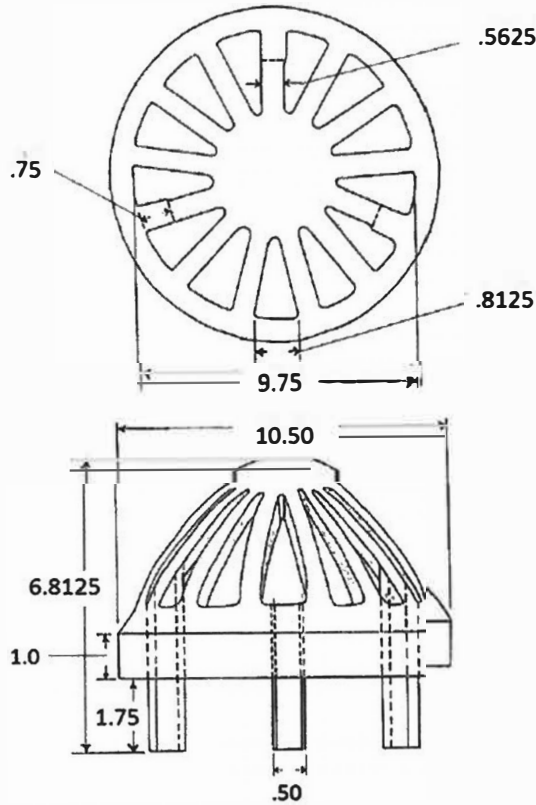




DRAINAGE SOLUTIONS, INC

(317) 346-4110
www.drainagesolutionsinc.com



NAME DATE
BKB 5/14/2012

DRAWN
CHECKED
BKG APPR.
BPG APPR.
QA COMMENTS:

TITLE:

DD10 Drainage Dome

SIZE DWG. NO. REV
A DD10 Drainage Dome **A**
SCALE: WEIGHT: 4.25 SHEET 1 OF 1

PROPRIETARY AND CONFIDENTIAL
THE INFORMATION CONTAINED IN THIS DRAWING IS THE SOLE PROPERTY OF VICE BROTHERS. ANY REPRODUCTION IN PART OR AS A WHOLE WITHOUT THE WRITTEN PERMISSION OF VICE BROTHERS IS PROHIBITED.

MATERIAL
Aluminum 319
GROUND

DO NOT SCALE DRAWING

5

4

3

2

1