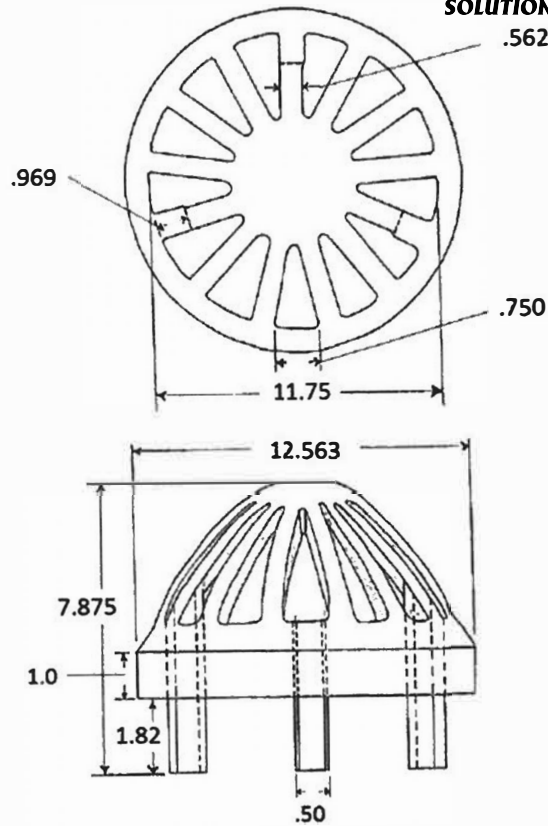




**DRAINAGE SOLUTIONS, INC**

(317) 346-4110  
www.drainagesolutionsinc.com



NAME DATE  
BKB 5/14/2012

DRAWN  
CHECKED  
ENG APPR.  
MFG APPR.  
QA  
COMMENTS

TITLE:

### DD12 Drainage Dome

SIZE DWG. NO. REV  
**A** DD12 Drainage Dome **A**  
SCALE: WEIGHT: 5.5 SHEET 1 OF 1

PROPRIETARY AND CONFIDENTIAL  
THE INFORMATION CONTAINED IN THIS DRAWING IS THE SOLE PROPERTY OF VICE BROTHERS. ANY REPRODUCTION IN PART OR AS A WHOLE WITHOUT THE WRITTEN PERMISSION OF VICE BROTHERS IS PROHIBITED.

MATERIAL  
Aluminum 319  
GROUND  
DO NOT SCALE DRAWING

5

4

3

2

1