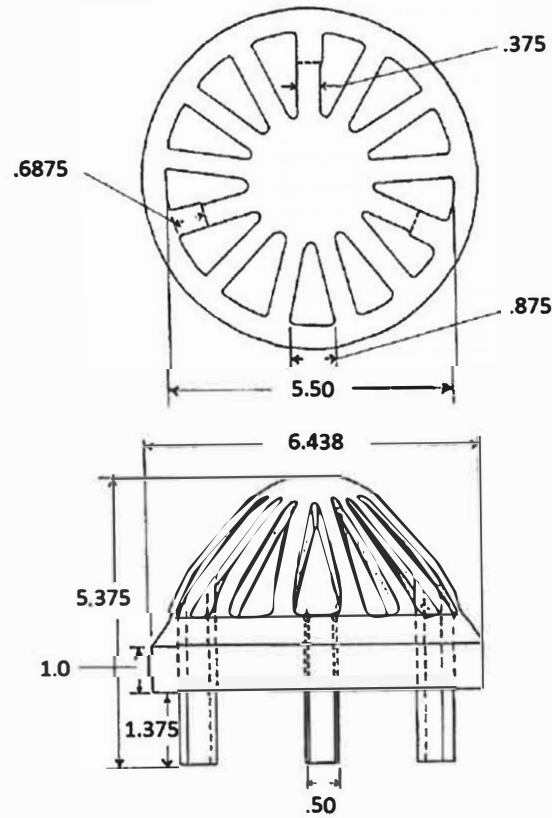




**DRAINAGE SOLUTIONS, INC**

(317) 346-4110

www.drainagesolutionsinc.com



NAME DATE  
BKB 5/14/2012

DRAWN  
CHECKED  
ENG APPR.  
MFG APPR.  
Q.A.  
COMMENTS

TITLE:

**DD06 Drainage Dome**

SIZE DWG. NO.

REV

**A DD06 Drainage Dome A**

SCALE: WEIGHT: 2.25 SHEET 1 OF 1

**VICE BROS**  
Vice Brothers Inc

PROPRIETARY AND CONFIDENTIAL  
THE INFORMATION CONTAINED IN THIS  
DRAWING IS THE SOLE PROPERTY OF  
VICE BROTHERS. ANY REPRODUCTION IN  
PART OR AS A WHOLE WITHOUT THE  
WRITTEN PERMISSION OF VICE BROTHERS  
IS PROHIBITED.

MATERIAL  
Aluminum 319

FINISH  
GROUND

DO NOT SCALE DRAWING

5

4

3

2

1