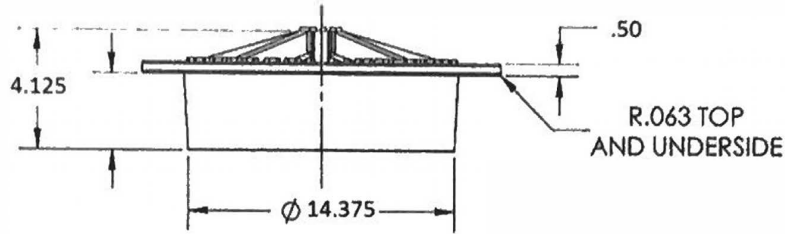


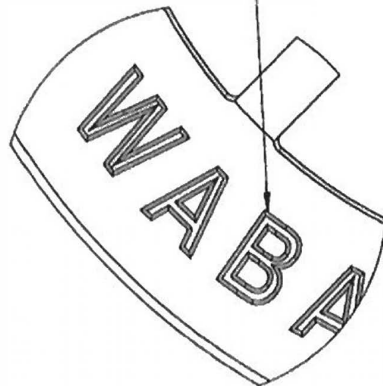


(317) 346-4110

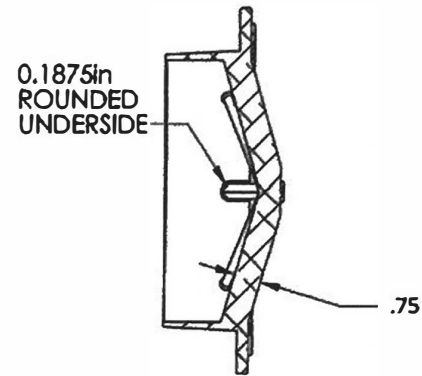
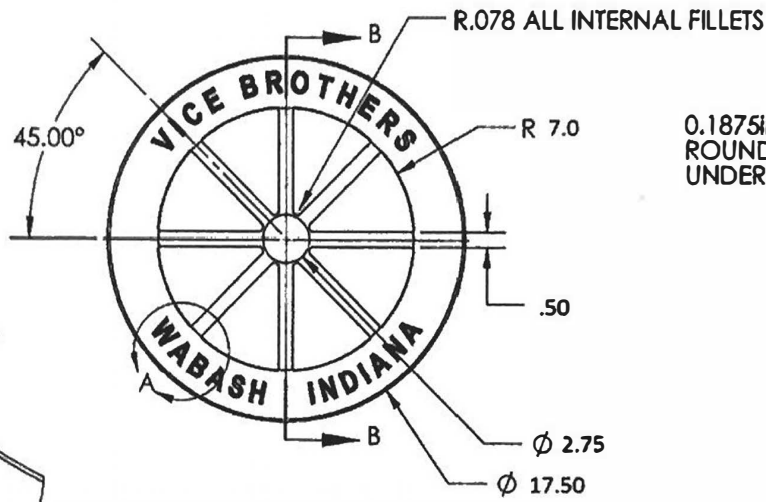
DRAINAGE SOLUTIONS, INC www.drainagesolutionsinc.com



15° DRAFT
BOSS .09375"
HEIGHT .5625"
SPACE .0656



DETAIL A
SCALE



SECTION B-B

NAME DATE
BKB 5/14/2012

DRAWN
CHECKED
ENG APPR.
MFG APPR.
Q.A.
COMMENTS:

TITLE:

lc15 Low Cone

SIZE DWG. NO. REV
A lc15 Low Cone **A**

SCALE: WEIGHT: 14lbs SHEET 1 OF 1

PROPRIETARY AND CONFIDENTIAL
THE INFORMATION CONTAINED IN THIS DRAWING IS THE SOLE PROPERTY OF VICE BROTHERS. ANY REPRODUCTION IN PART OR AS A WHOLE WITHOUT THE WRITTEN PERMISSION OF VICE BROTHERS IS PROHIBITED.
MATERIAL Aluminum 319
GROUND
DO NOT SCALE DRAWING

