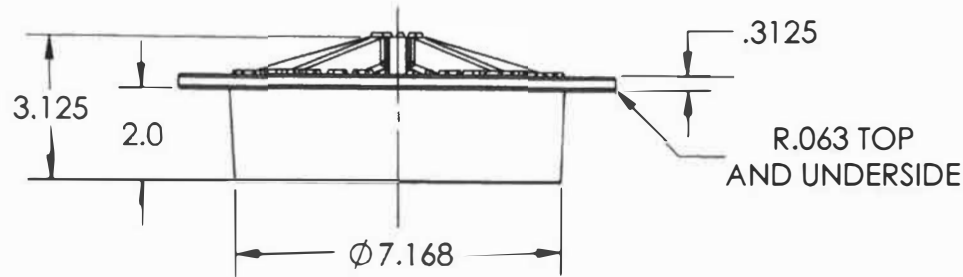




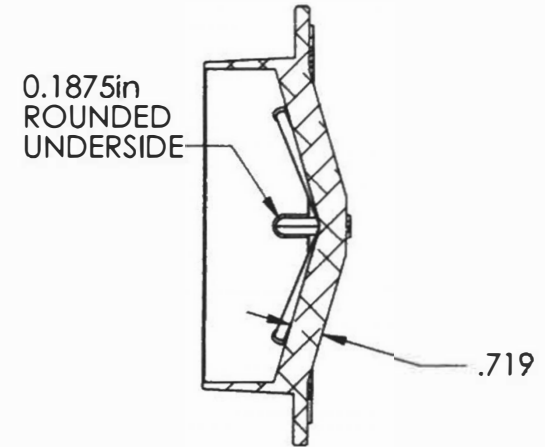
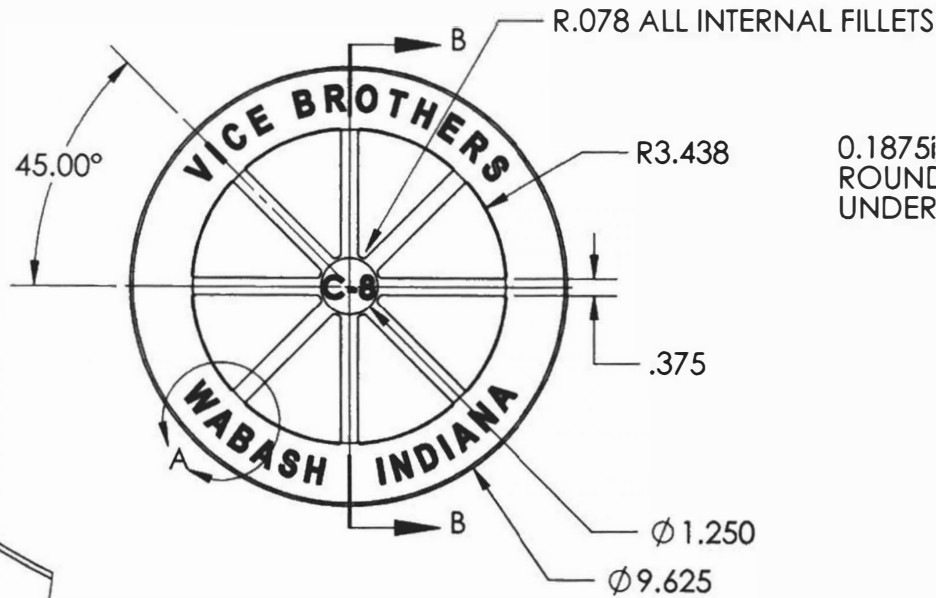
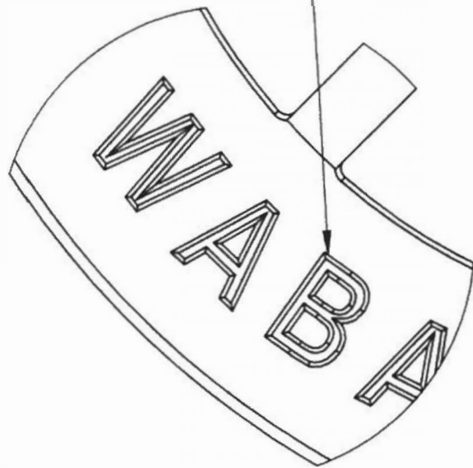
DRAINAGE SOLUTIONS, INC

(317) 346-4110

www.drainagesolutionsinc.com



15° DRAFT
BOSS .09375"
HEIGHT .5625"
SPACE .0656



SECTION B-B

NAME DATE
BKB 5/14/2012

DRAWN
CHECKED
ENG APPR.
MFG APPR.
Q.A.
COMMENTS:

TITLE:

C-8 Low Cone

SIZE DWG. NO.
A C-8 Low Cone

REV
A

SCALE: 1:4 WEIGHT:

SHEET 1 OF 1



PROPRIETARY AND CONFIDENTIAL

THE INFORMATION CONTAINED IN THIS DRAWING IS THE SOLE PROPERTY OF VICE BROTHERS. ANY REPRODUCTION IN PART OR AS A WHOLE WITHOUT THE WRITTEN PERMISSION OF VICE BROTHERS IS PROHIBITED

MATERIAL Aluminum 319
FINISH GROUND

DO NOT SCALE DRAWING