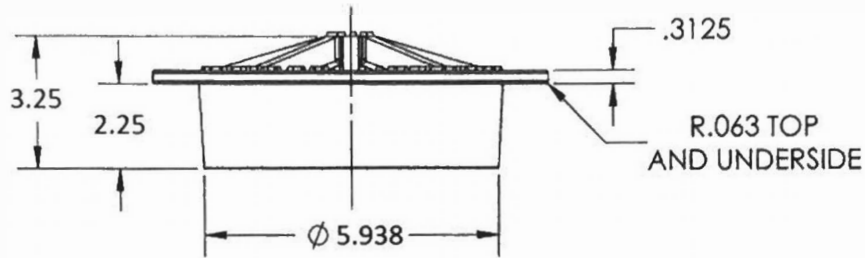


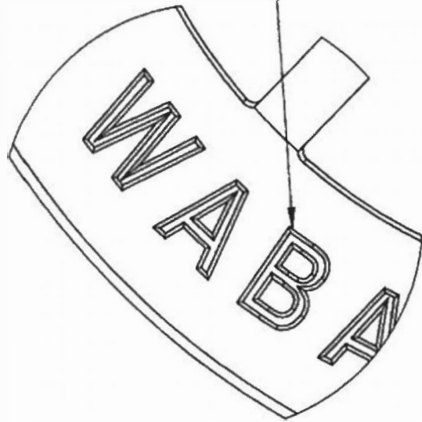


**DRAINAGE SOLUTIONS, INC**

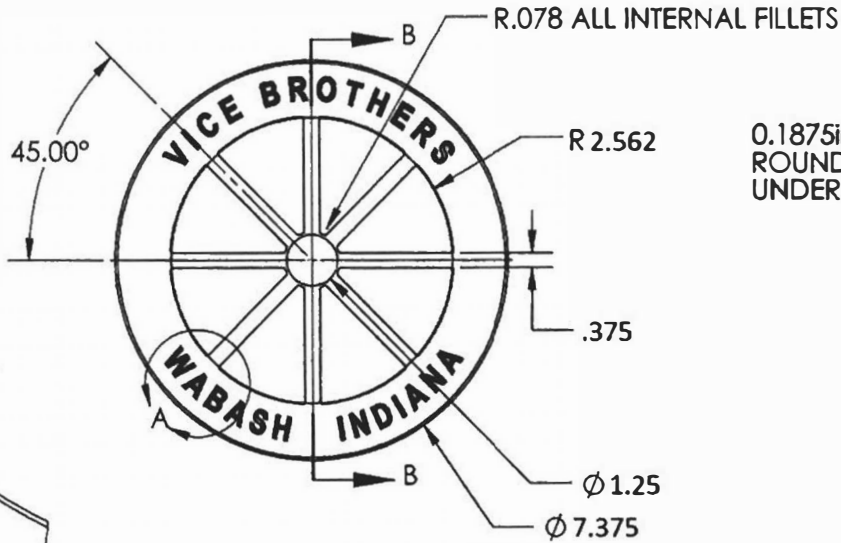
(317) 346-4110  
www.drainagesolutionsinc.com



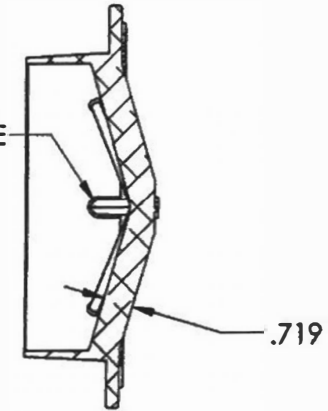
15° DRAFT  
BOSS .09375"  
HEIGHT .5625"  
SPACE .0656



DETAIL A



0.1875in  
ROUNDED  
UNDERSIDE



SECTION B-B

NAME DATE  
BKB 5/14/2012

DRAWN  
CHECKED  
ENG APPR.  
MFG APPR.  
Q.A.  
COMMENTS:

TITLE:

LC06 Low Cone

SIZE DWG. NO. REV  
A LC06 Low Cone A

SCALE: WEIGHT: 2.5lbs SHEET 1 OF 1

PROPRIETARY AND CONFIDENTIAL

THE INFORMATION CONTAINED IN THIS DRAWING IS THE SOLE PROPERTY OF VICE BROTHERS. ANY REPRODUCTION IN PART OR AS A WHOLE WITHOUT THE WRITTEN PERMISSION OF VICE BROTHERS IS PROHIBITED.

MATERIAL Aluminum 319

FINISH GROUND

DO NOT SCALE DRAWING

**VICE BROS**  
Vice Brothers Inc