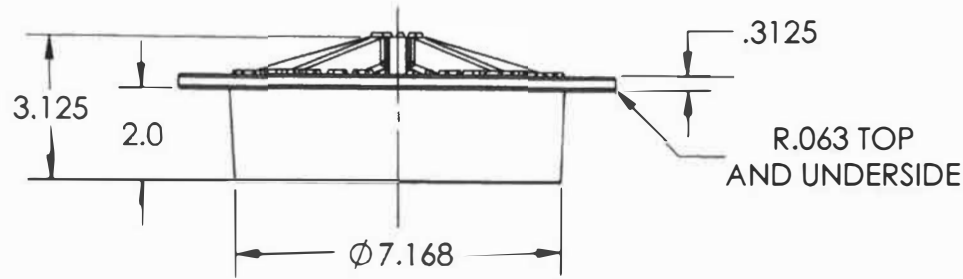


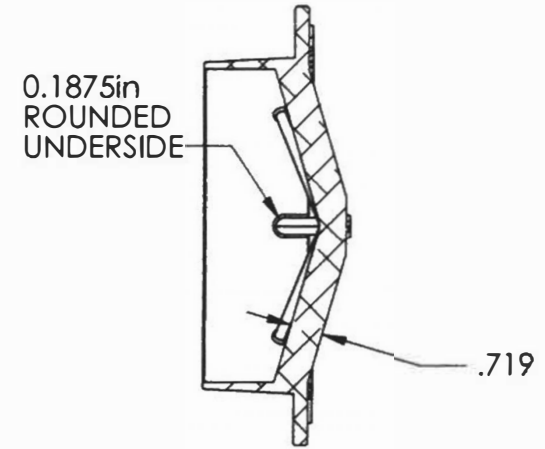
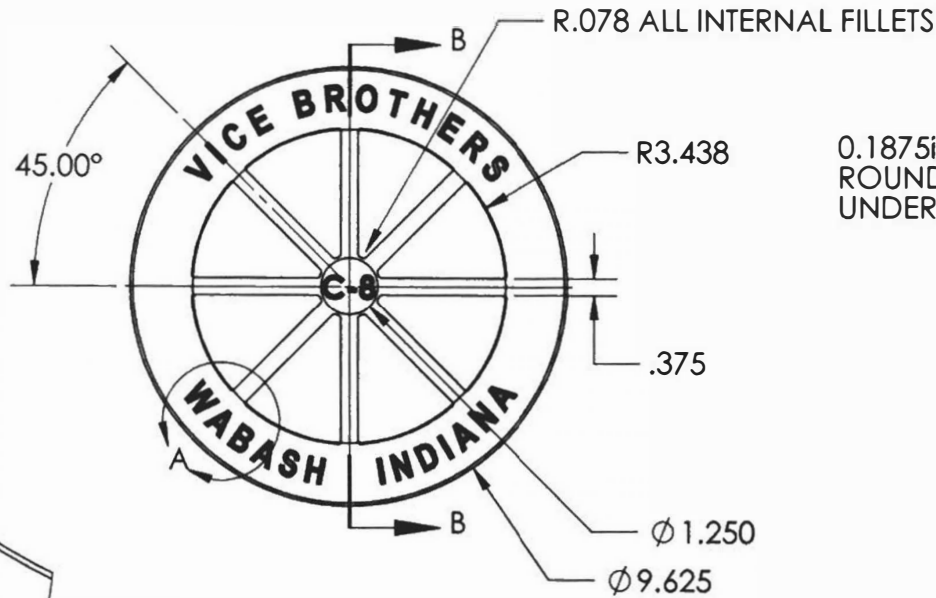
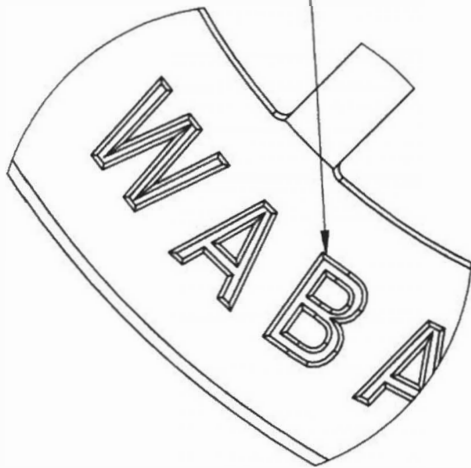


(317) 346-4110

**DRAINAGE SOLUTIONS, INC** www.drainagesolutionsinc.com



15° DRAFT  
BOSS .09375"  
HEIGHT .5625"  
SPACE .0656



SECTION B-B

NAME DATE  
BKB 5/14/2012

DRAWN  
CHECKED  
ENG APPR.  
MFG APPR.  
Q.A.  
COMMENTS:

TITLE:

# C-8 Low Cone

SIZE DWG. NO.  
**A** C-8 Low Cone

REV  
**A**

SCALE: 1:4 WEIGHT:

SHEET 1 OF 1



**PROPRIETARY AND CONFIDENTIAL**

THE INFORMATION CONTAINED IN THIS DRAWING IS THE SOLE PROPERTY OF VICE BROTHERS. ANY REPRODUCTION IN PART OR AS A WHOLE WITHOUT THE WRITTEN PERMISSION OF VICE BROTHERS IS PROHIBITED

MATERIAL Aluminum 319  
FINISH GROUND

DO NOT SCALE DRAWING