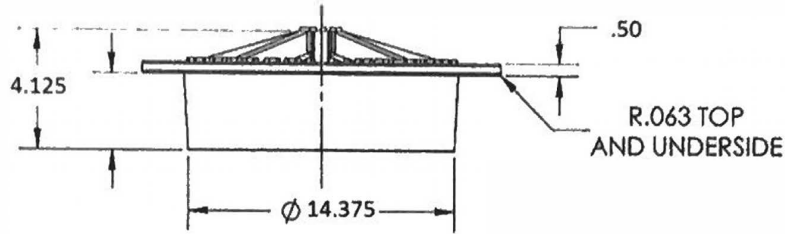


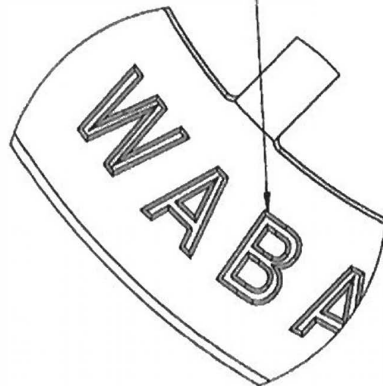


(317) 346-4110

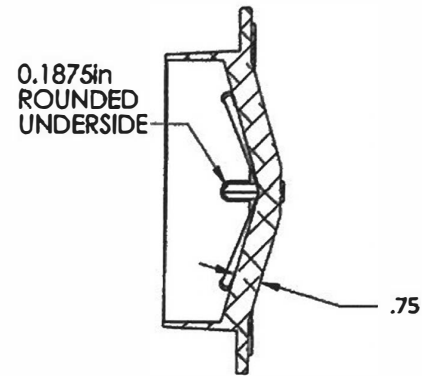
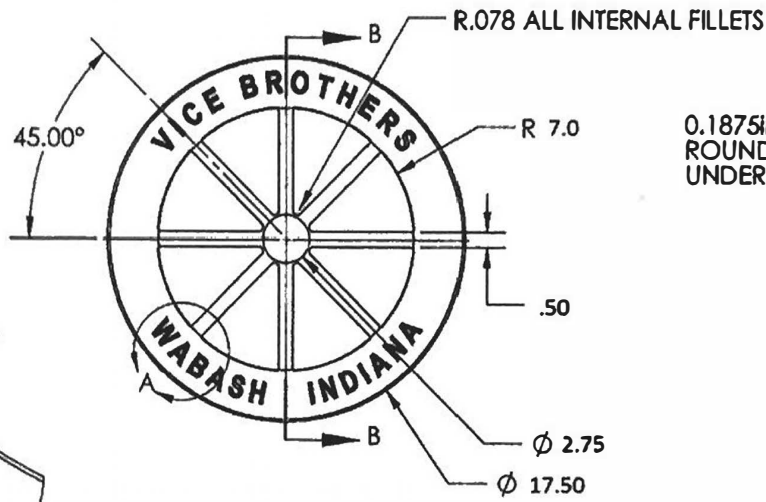
**DRAINAGE SOLUTIONS, INC** www.drainagesolutionsinc.com



15° DRAFT  
BOSS .09375"  
HEIGHT .5625"  
SPACE .0656



DETAIL A  
SCALE



SECTION B-B

NAME DATE  
BKB 5/14/2012

DRAWN  
CHECKED  
ENG APPR.  
MFG APPR.  
Q.A.  
COMMENTS:

TITLE:

lc15 Low Cone

SIZE DWG. NO. REV  
A lc15 Low Cone A

SCALE: WEIGHT: 14lbs SHEET 1 OF 1

PROPRIETARY AND CONFIDENTIAL  
THE INFORMATION CONTAINED IN THIS DRAWING IS THE SOLE PROPERTY OF VICE BROTHERS. ANY REPRODUCTION IN PART OR AS A WHOLE WITHOUT THE WRITTEN PERMISSION OF VICE BROTHERS IS PROHIBITED.  
MATERIAL Aluminum 319  
GROUND  
DO NOT SCALE DRAWING

