

Trusted. Tested. Tough.®

Product information presented here reflects conditions at time of publication. Consult factory regarding discrepancies or inconsistencies.



DRAINAGE SOLUTIONS, INC

(317)346-4110

www.drainagesolutionsinc.com



MAIL TO: P.O. BOX 16347 • Louisville, KY 40256-0347
 SHIP TO: 3649 Cane Run Road • Louisville, KY 40211-1961
 TEL: (502) 778-2731 • 1 (800) 928-PUMP • FAX: (502) 774-3624

SECTION: 2.75.065

FM0433

0522

Supersedes

0320

Visit our website:
 zoellerpumps.com

REPLACEMENT PARTS LIST FOR MODELS:

PERMANENT SPLIT CAPACITOR MOTOR DESIGN
 FOR SPLIT PHASE MOTOR DESIGN (SEE PAGE 7)

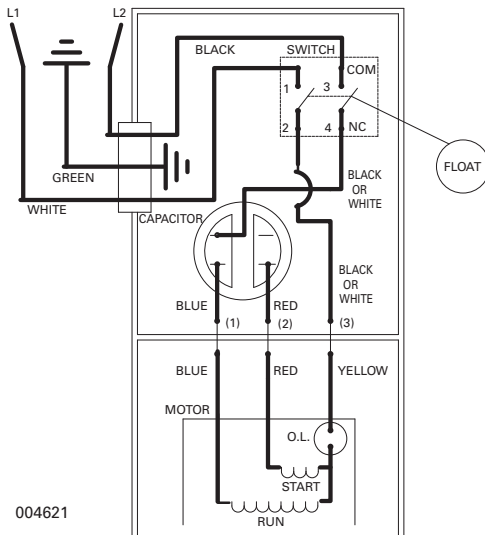
- M137 AUTOMATIC 115V
- N137 NONAUTOMATIC 115V
- D137 AUTOMATIC 230V
- E137 NONAUTOMATIC 230V
- H137 AUTOMATIC 200V/1PH
- I137 NONAUTOMATIC 200V/1PH
- J137 NONAUTOMATIC 200V/3PH
- F137 NONAUTOMATIC 230V/3PH
- G137 NONAUTOMATIC 460V/3PH

Consult factory for all other models

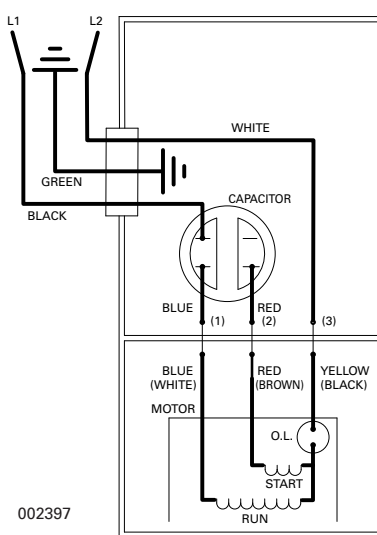
TO ORDER REPLACEMENT PARTS

PLEASE FURNISH THE FOLLOWING INFORMATION:

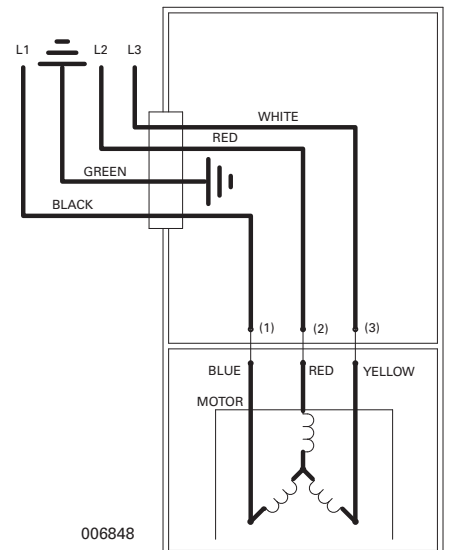
- Model number
- Part number of pump
- Part number and description of part



004621
 WIRING DIAGRAM FOR MODELS
 "M137", "D137", "H137"



002397
 WIRING DIAGRAM FOR MODELS
 "N137", "E137", "I137"



006848
 WIRING DIAGRAM FOR MODELS
 "J137", "F137" and "G137"

REPLACEMENT PARTS LIST FOR MODELS “M137” & “N137”

See page 6 for illustration.

REF. NO.	DESCRIPTION	QTY	NOTES	MODELS:			
				M137-D 05/18 thru 05/20	M137-E 06/20 thru Current	N137-D 05/18 thru 05/20	N137-E 06/20 thru Current
1	CASE ASSEMBLY - AUTOMATIC	1	3	004739	004739	N/A	N/A
	COVER ASSEMBLY - NON-AUTOMATIC		3	N/A	N/A	267051	267051
2	• HANDLE	1		267032	267032	267032	267032
3	CASE MACH. & GASKET - AUTOMATIC	1	3	155781	155781	N/A	N/A
	COVER MACH. & GASKET - NON-AUTOMATIC		3	N/A	N/A	267052	267052
4	• RETAINER - NON-AUTOMATIC	2	3	N/A	N/A	267053	267053
5	• GUARD - AUTOMATIC	1	3	267008	267008	N/A	N/A
6	• GASKET - CASE/COVER	1		267007	267007	267007	267007
7	• ARM AND SEAL ASSEMBLY	1	3	004741	004741	N/A	N/A
8	SWITCH ASSEMBLY	1	3	004740	004740	N/A	N/A
9	CAPACITOR ASSEMBLY	1		155782	156952	155782	156952
10	• WIRE PACKAGE	1		155783	155783	155783	155783
11	• CORD SEAL AND STRAIN RELIEF ASSEMBLY	1	4	155784	155784	155784	155784
12	CORD ASSEMBLY - STANDARD	1		010925	010925	155785	155785
13	MOTOR HOUSING ASSEMBLY	1		155786	156489	155786	156489
14	STATOR WITH SCREWS	1		155787	156490	155787	156490
15	• THRU WALL TERMINALS	3		003402	003402	003402	003402
16	• TEST PLUGS	2		034090	034090	034090	034090
17	ROTOR ASSEMBLY	1		155788	156955	155788	156955
18	• THRUST WASHER	1		002140	002140	002140	002140
19	• DIELECTRIC OIL	1		267056	267056	267056	267056
20	• MOTOR HOUSING SEAL	1		267006	267006	267006	267006
21	PUMP HOUSING - MACH.	1		137004	137004	137004	137004
22	• SHAFT SEAL ASSEMBLY	1		267027	267027	267027	267027
23	IMPELLER	1		137006	137006	137006	137006
24	BASE	1		001509	001509	001509	001509
25	FLOAT	1	3	034019	034019	N/A	N/A
26	FLOAT ROD	1	3	001526	001526	N/A	N/A
27	FLOAT ROD GUIDE ASSEMBLY	1	3	004676	004676	N/A	N/A
28	• SCREW - CASE & BASE (1/4-20 X 3/4" LONG)	9		001916	001916	001916	001916
29	• SCREW - SWITCH (#6-32 X 7/16" LONG)	2	3	004644	004644	N/A	N/A
30	• SCREW - GROUND & CAPACITOR (#6-32 X 1/4" LONG)	1		001877	001877	001877	001877
31	• SCREW - MOTOR HOUSING (1/4-20 X 7/8" LONG)	4		012491	012491	012491	012491
32	• SCREW - STATOR (#8-32 X 3 1/16" LONG)	2		154768	154768	154768	154768
33	• SCREW - GUARD & RETAINERS/GUIDE (#10-24 X 3/8" LONG)	3		001883	001883	001883	001883
34	NUT,5/16-24UNF SS ACORN/LOW CROWN	1	3	N/A	N/A	N/A	N/A
□	REBUILD KIT	1		155789	155789	155789	155789

Service part notes:

- 1) If an “X” follows Model No., or Date Mfg. on brass ID tag, consult factory for ordering any parts.
- 2) See FM0160 Parts Price Sheet for listing of parts prices.
- 3) “NA” indicates, not applicable.
- 4) Strain relief clamp is not sold separately, must order cord seal assembly.
- 5) Cut plug off if required.

REPLACEMENT PARTS LIST FOR MODELS "D137" & "E137"

See page 6 for illustration.

REF. NO.	DESCRIPTION	QTY	NOTES	MODELS:			
				D137-D	D137-E	E137-D	E137-E
				01/19 thru 05/20	06/20 thru Current	01/19 thru 05/20	06/20 thru Current
1	CASE ASSEMBLY - AUTOMATIC	1	3	004739	004739	N/A	N/A
	COVER ASSEMBLY - NON-AUTOMATIC		3	N/A	N/A	267051	267051
2	• HANDLE	1		267032	267032	267032	267032
3	CASE MACH. & GASKET - AUTOMATIC	1	3	155781	155781	N/A	N/A
	COVER MACH. & GASKET - NON-AUTOMATIC		3	N/A	N/A	267052	267052
4	• RETAINER - NON-AUTOMATIC	2	3	N/A	N/A	267053	267053
5	• GUARD - AUTOMATIC	1	3	267008	267008	N/A	N/A
6	• GASKET - CASE/COVER	1		267007	267007	267007	267007
7	• ARM AND SEAL ASSEMBLY	1	3	004741	004741	N/A	N/A
8	SWITCH ASSEMBLY	1	3	004740	004740	N/A	N/A
9	CAPACITOR ASSEMBLY	1		155782	156952	155782	156952
10	• WIRE PACKAGE	1		155783	155783	155783	155783
11	• CORD SEAL AND STRAIN RELIEF ASSEMBLY	1	4	155784	155784	155784	155784
12	CORD ASSEMBLY - STANDARD	1		010926	010926	155962	155962
13	MOTOR HOUSING ASSEMBLY	1		155786	156489	155786	156489
14	STATOR WITH SCREWS	1		155961	156491	155961	156491
15	• THRU WALL TERMINALS	3		003402	003402	003402	003402
16	• TEST PLUGS	2		034090	034090	034090	034090
17	ROTOR ASSEMBLY	1		155788	156955	155788	156955
18	• THRUST WASHER	1		002140	002140	002140	002140
19	• DIELECTRIC OIL	1		267056	267056	267056	267056
20	• MOTOR HOUSING SEAL	1		267006	267006	267006	267006
21	PUMP HOUSING - MACH.	1		137004	137004	137004	137004
22	• SHAFT SEAL ASSEMBLY	1		267027	267027	267027	267027
23	IMPELLER	1		137006	137006	137006	137006
24	BASE	1		001509	001509	001509	001509
25	FLOAT	1	3	034019	034019	N/A	N/A
26	FLOAT ROD	1	3	001526	001526	N/A	N/A
27	FLOAT ROD GUIDE ASSEMBLY	1	3	004676	004676	N/A	N/A
28	• SCREW - CASE & BASE (1/4-20 X 3/4" LONG)	9		001916	001916	001916	001916
29	• SCREW - SWITCH (#6-32 X 7/16" LONG)	2	3	004644	004644	N/A	N/A
30	• SCREW - GROUND & CAPACITOR (#6-32 X 1/4" LONG)	1		001877	001877	001877	001877
31	• SCREW - MOTOR HOUSING (1/4-20 X 7/8" LONG)	4		012491	012491	012491	012491
32	• SCREW - STATOR (#8-32 X 3 1/16" LONG)	2		154768	154768	154768	154768
33	• SCREW - GUARD & RETAINERS/GUIDE (#10-24 X 3/8" LONG)	3		001883	001883	001883	001883
34	NUT, 5/16-24UNF SS ACORN/LOW CROWN	1	3	N/A	N/A	N/A	N/A
o	REBUILD KIT	1		155789	155789	155789	155789

• Items included in Rebuild Kit.

o Not shown on illustration.

Service part notes:

- 1) If an "X" follows Model No., or Date Mfg. on brass ID tag, consult factory for ordering any parts.
- 2) See FM0160 Parts Price Sheet for listing of parts prices.
- 3) "NA" indicates, not applicable.
- 4) Strain relief clamp is not sold separately, must order cord seal assembly.
- 5) Cut plug off if required.

REPLACEMENT PARTS LIST FOR MODELS "H137" & "I137"

See page 6 for illustration.

REF. NO.	DESCRIPTION	QTY	NOTES	MODELS:			
				H137-D 02/19 thru 05/20	H137-E 06/20 thru Current	I137-D 02/19 thru 05/20	I137-E 06/20 thru Current
1	CASE ASSEMBLY - AUTOMATIC	1	3	004739	004739	N/A	N/A
	COVER ASSEMBLY - NON-AUTOMATIC		3	N/A	N/A	267051	267051
2	• HANDLE	1		267032	267032	267032	267032
3	CASE MACH. & GASKET - AUTOMATIC	1	3	155781	155781	N/A	N/A
	COVER MACH. & GASKET - NON-AUTOMATIC		3	N/A	N/A	267052	267052
4	• RETAINER - NON-AUTOMATIC	2	3	N/A	N/A	267053	267053
5	• GUARD - AUTOMATIC	1	3	267008	267008	N/A	N/A
6	• GASKET - CASE/COVER	1		267007	267007	267007	267007
7	• ARM AND SEAL ASSEMBLY	1	3	004741	004741	N/A	N/A
8	SWITCH ASSEMBLY	1	3	004740	004740	N/A	N/A
9	CAPACITOR ASSEMBLY	1		155782	156952	155782	156952
10	• WIRE PACKAGE	1		155783	155783	155783	155783
11	• CORD SEAL AND STRAIN RELIEF ASSEMBLY	1	4	155784	155784	155784	155784
12	CORD ASSEMBLY - 1 PHASE - 3 WIRE NO PLUG	1	5	156032	156032	156033	156033
13	MOTOR HOUSING ASSEMBLY	1		155786	156489	155786	156489
14	STATOR WITH SCREWS	1		156034	156959	156034	156959
15	• THRU WALL TERMINALS	3		003402	003402	003402	003402
16	• TEST PLUGS	2		034090	034090	034090	034090
17	ROTOR ASSEMBLY	1		155788	156955	155788	156955
18	• THRUST WASHER	1		002140	002140	002140	002140
19	• DIELECTRIC OIL	1		267056	267056	267056	267056
20	• MOTOR HOUSING SEAL	1		267006	267006	267006	267006
21	PUMP HOUSING - MACH.	1		003877	003877	003877	003877
22	• SHAFT SEAL ASSEMBLY	1		267027	267027	267027	267027
23	IMPELLER	1		137006	137006	137006	137006
24	BASE	1		001509	001509	001509	001509
25	FLOAT	1	3	034019	034019	N/A	N/A
26	FLOAT ROD	1	3	001526	001526	N/A	N/A
27	FLOAT ROD GUIDE ASSEMBLY	1	3	004676	004676	N/A	N/A
28	• SCREW - CASE & BASE (1/4-20 X 3/4" LONG)	9		001916	001916	001916	001916
29	• SCREW - SWITCH (#6-32 X 7/16" LONG)	2	3	004644	004644	N/A	N/A
30	• SCREW - GROUND & CAPACITOR (#6-32 X 1/4" LONG)	1		001877	001877	001877	001877
31	• SCREW - MOTOR HOUSING (1/4-20 X 7/8" LONG)	4		012491	012491	012491	012491
32	• SCREW - STATOR (#8-32 X 3 1/16" LONG)	2		154768	154768	154768	154768
33	• SCREW - GUARD & RETAINERS/GUIDE (#10-24 X 3/8" LONG)	3		001883	001883	001883	001883
34	NUT,5/16-24UNF SS ACORN/LOW CROWN	1	3	N/A	N/A	N/A	N/A
□	REBUILD KIT	1		155789	155789	155789	155789

• Items included in Rebuild Kit.

□ Not shown on illustration.

Service part notes:

- 1) If an "X" follows Model No., or Date Mfg. on brass ID tag, consult factory for ordering any parts.
- 2) See FM0160 Parts Price Sheet for listing of parts prices.
- 3) "NA" indicates, not applicable.
- 4) Strain relief clamp is not sold separately, must order cord seal assembly.
- 5) Cut plug off if required.

REPLACEMENT PARTS LIST FOR MODELS "J137", "F137" & "I137"

See page 6 for illustration.

REF. NO.	DESCRIPTION	QTY	NOTES	MODELS:		F137-D	F137-E	G137-D	G137-E
				01/19 thru 08/20	09/20 thru Current	01/19 thru 08/20	09/20 thru Current	02/19 thru 08/20	09/20 thru Current
1	CASE ASSEMBLY - AUTOMATIC	1	3	004739	004739	N/A	N/A	N/A	N/A
	COVER ASSEMBLY - NON-AUTOMATIC		3	N/A	N/A	267051	267051	267051	267051
2	• HANDLE	1		267032	267032	267032	267032	267032	267032
3	CASE MACH. & GASKET - AUTOMATIC	1	3	155781	155781	N/A	N/A	N/A	N/A
	COVER MACH. & GASKET - NON-AUTOMATIC		3	N/A	N/A	267052	267052	267052	267052
4	• RETAINER - NON-AUTOMATIC	2	3	N/A	N/A	267053	267053	267053	267053
5	• GUARD - AUTOMATIC	1	3	267008	267008	N/A	N/A	N/A	N/A
6	• GASKET - CASE/COVER	1		267007	267007	267007	267007	267007	267007
7	• ARM AND SEAL ASSEMBLY	1	3	004741	004741	N/A	N/A	N/A	N/A
8	SWITCH ASSEMBLY	1	3	004740	004740	N/A	N/A	N/A	N/A
9	CAPACITOR ASSEMBLY	1		155782	156952	155782	156952	N/A	N/A
10	• WIRE PACKAGE	1		155783	155783	155783	155783	N/A	N/A
11	• CORD SEAL AND STRAIN RELIEF ASSEMBLY	1	4	155784	155784	155784	155784	155784	155784
12	CORD ASSEMBLY - STANDARD	1		010926	010926	155962	155962	003761	003761
13	MOTOR HOUSING ASSEMBLY	1		155786	156489	155786	156489	155786	156489
14	STATOR WITH SCREWS	1		155961	156491	155961	156491	156037	156966
15	• THRU WALL TERMINALS	3		003402	003402	003402	003402	003402	003402
16	• TEST PLUGS	2		034090	034090	034090	034090	034090	034090
17	ROTOR ASSEMBLY	1		155788	156955	155788	156955	156038	156961
18	• THRUST WASHER	1		002140	002140	002140	002140	002140	002140
19	• DIELECTRIC OIL	1		267056	267056	267056	267056	267056	267056
20	• MOTOR HOUSING SEAL	1		267006	267006	267006	267006	267006	267006
21	PUMP HOUSING - MACH.	1		137004	137004	137004	137004	003877	003877
22	• SHAFT SEAL ASSEMBLY	1		267027	267027	267027	267027	267027	267027
23	IMPELLER	1		137006	137006	137006	137006	009507	009507
24	BASE	1		001509	001509	001509	001509	001509	001509
25	FLOAT	1	3	034019	034019	N/A	N/A	N/A	N/A
26	FLOAT ROD	1	3	001526	001526	N/A	N/A	N/A	N/A
27	FLOAT ROD GUIDE ASSEMBLY	1	3	004676	004676	N/A	N/A	N/A	N/A
28	• SCREW - CASE & BASE (1/4-20 X 3/4" LONG)	9		001916	001916	001916	001916	001916	001916
29	• SCREW - SWITCH (#6-32 X 7/16" LONG)	2	3	004644	004644	N/A	N/A	N/A	N/A
30	• SCREW - GROUND & CAPACITOR (#6-32 X 1/4" LONG)	1		001877	001877	001877	001877	001877	001877
31	• SCREW - MOTOR HOUSING (1/4-20 X 7/8" LONG)	4		012491	012491	012491	012491	012491	012491
32	• SCREW - STATOR (#8-32 X 3 1/16" LONG)	2		154768	154768	154768	154768	154768	154768
33	• SCREW - GUARD & RETAINERS/GUIDE (#10-24 X 3/8" LONG)	3		001883	001883	001883	001883	001883	001883
34	NUT, 5/16-24UNF SS ACORN/LOW CROWN	1	3	N/A	N/A	N/A	N/A	004348	004348
□	REBUILD KIT	1		155789	155789	155789	155789	155789	155789

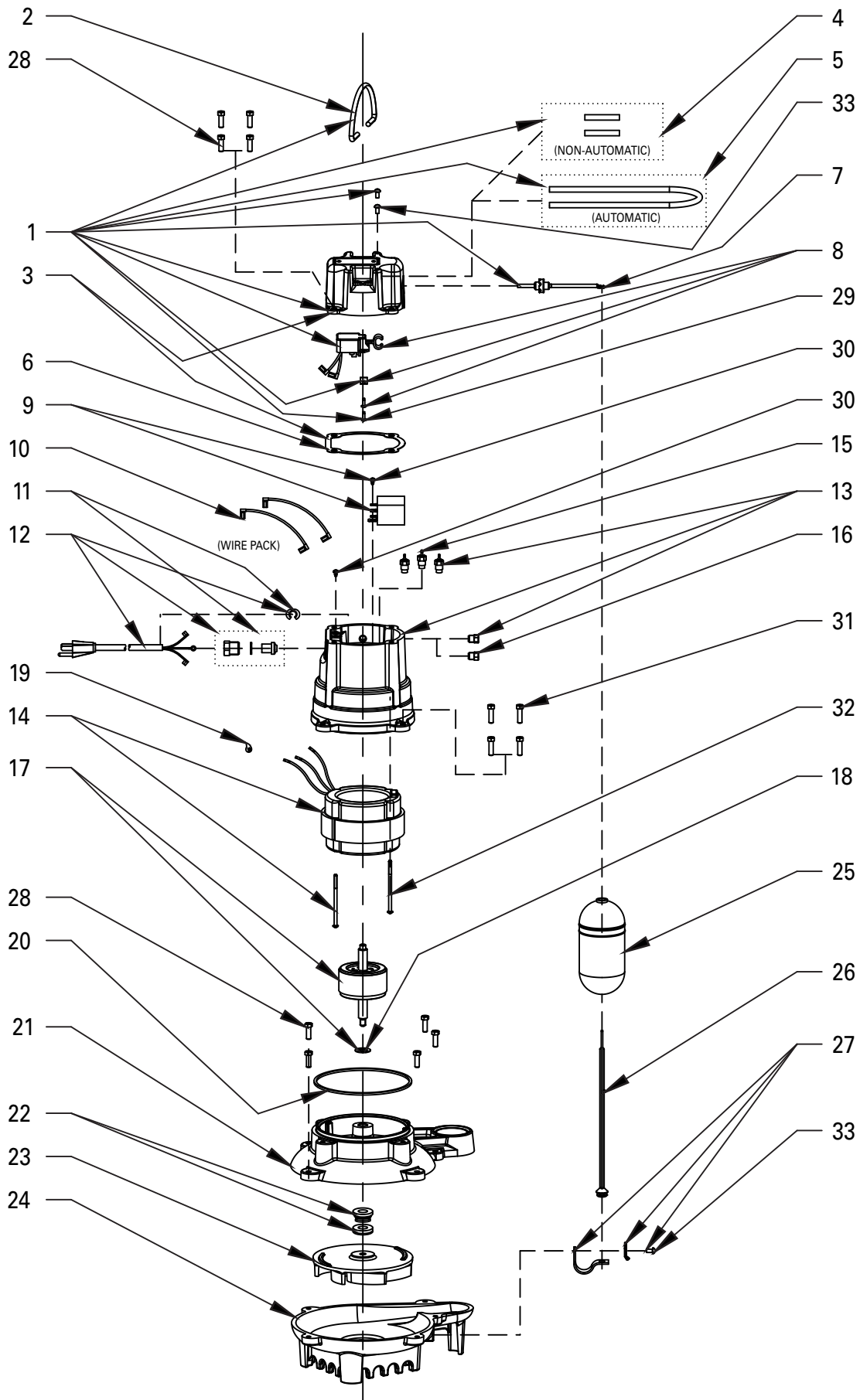
• Items included in Rebuild Kit.

□ Not shown on illustration.

Service part notes:

- 1) If an "X" follows Model No., or Date Mfg. on brass ID tag, consult factory for ordering any parts.
- 2) See FM0160 Parts Price Sheet for listing of parts prices.
- 3) "NA" indicates, not applicable.
- 4) Strain relief clamp is not sold separately, must order cord seal assembly.
- 5) Cut plug off if required.

REPLACEMENT PARTS ILLUSTRATION FOR ALL 137 MODELS



SK3203

REPLACEMENT PARTS LIST FOR MODELS:

SPLIT PHASE MOTOR DESIGN

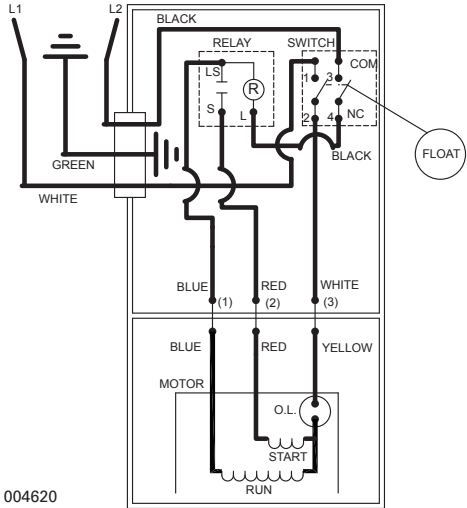
M137 AUTOMATIC 115V
D137 AUTOMATIC 230V
N137 NONAUTOMATIC 115V
E137 NONAUTOMATIC 230V

Consult factory for all other models

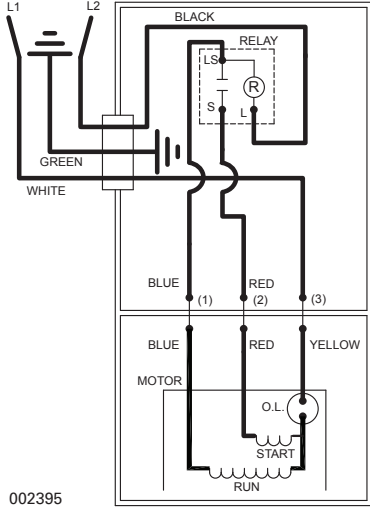
TO ORDER REPLACEMENT PARTS

PLEASE FURNISH THE FOLLOWING INFORMATION:

- Model number
- Part number of pump
- Part number and description of part



WIRING DIAGRAM FOR MODELS
"M137-C" and "D137-C"
9/86 thru 04/18



WIRING DIAGRAM FOR MODELS
"N137-C" and "E137-C"
9/86 thru 04/18

REPLACEMENT PARTS LIST FOR MODELS “M137” and “D137”.

See page 10 for “M137” and “D137” illustration.

REF. NO.	DESCRIPTION	QTY	NOTES	MODELS:	
				M137-C	D137-C
				9/86 thru 04/18	9/86 thru 4/18
1	• HANDLE	1		267032	267032
2	CASE & SWITCH ASM “130/260”	1	3	004610	004610
3	• GASKET,CASE/COVER	1		267007	267007
4	RELAY ASM	1		002474	147135
5	WIRE PKG	1		267014	267014
6	• SEAL,THRU WALL TERM	3		003402	003402
7	• PLUG,TEST	2		034090	034090
8	• CLAMP,STRAIN RELIEF	1	6	NA	NA
9	CORD TERM & SEAL	1	3, 4	094071	094072
10	• SEAL,CORD-ASM	1		094032	094032
11	BEARING,UPPER ROTOR	1		NA	NA
12	• GUARD	1		267008	267008
13	FLOAT-POLYPROPYLENE	1		034019	034019
14	• ARM & SEAL ASM “130/260”	1	3	004741	004741
15	CASE & SWITCH ASM “130/260”	1	3	004739	004739
16	SWITCH ASM “130/260”	1	3	004740	004740
□	LEAD WIRE (GRAY)	1		NA	NA
17	ROD,FLOAT	1		001526	001526
18	HOUSING,MTR-&STR REGAL BELOIT	1	1, 2	002475	002476
	HOUSING,MTR-& STR EMD			014797	008642
19	ROTOR ASM 115/230V/1PH REGAL B	1	2	267005	267005
	ROTOR ASM 115/230V/1PH EMD			004021	004021
20	• SEAL,MTR HSG	1		267006	267006
21	• WASHER,TRST-NYL.875X.504X.050”	1		002140	002140
22	BEARING,SLEEVE-LOWER ROTOR	1		NA	NA
23	HOUSING,PUMP-MACH	1		137004	137004
24	• OIL,DIELECTRIC	1		267056	267056
25	GUIDE ASM, FLOAT ROD	1		004676	004676
26	• SEAL ASM	1		267027	267027
27	IMPELLER	1	4	137006	137006
28	BASE & PLATE	1		001509	001509
29	STRAINER PLATE	1		137008	137008
30	• SCREW .25-20X.75HHM-SS	9		001916	001916
31	• SCREW,#6-32X.438/RH/PAN HEAD/	2		004644	004644
32	• SCREW,#10-24 X.375 RHM-SL SS	3		001883	001883
33	• SCREW,SEM/10-24 X .375 HH-SL	2		002000	002000
34	• SCREW,#6-32X.25RHM SL TC STLGR	3		001877	001877
35	SCREW,.25-20X.875”LG HH SS/	4		012491	012491
□	REBUILD KIT	1		004743	004743

• Items included in Rebuild Kit.

□ Not shown in illustration

NOTES:

- 1) Motor, housing., bearing., stator & term. (Item 18) are preassembled at the factory and must be replaced as a unit. Stator is permanently attached to the motor housing. plug (Item 7); seal, thru wall term. (Item 6) and bearing - upper (Item 11) are replaceable.
- 2) When ordering motor housing, bearing, stator and term. (Item 18) or rotor (Item 16) specify either GE or Emerson motor. GE motor can be identified by (4) half oval slots spaced at 90° around the outside diameter or the stator. Emerson motor can be identified by (2) half oval slots or holes spaced 180° around the outside diameter of the stator.
- 3) If an “X” follows model no., or date mfg. on brass ID tag, consult factory for ordering any parts.
- 4) See FM0160 parts price sheet for listing of parts prices.
- 5) “NA” indicates, not applicable.
- 6) Clamp, strain relief (Item 8) is not sold separately, must order seal, cord asm (Item 10).

REPLACEMENT PARTS LIST FOR MODELS “N137” and “E137”.

See page 10 for “N137” and “E137” illustration.

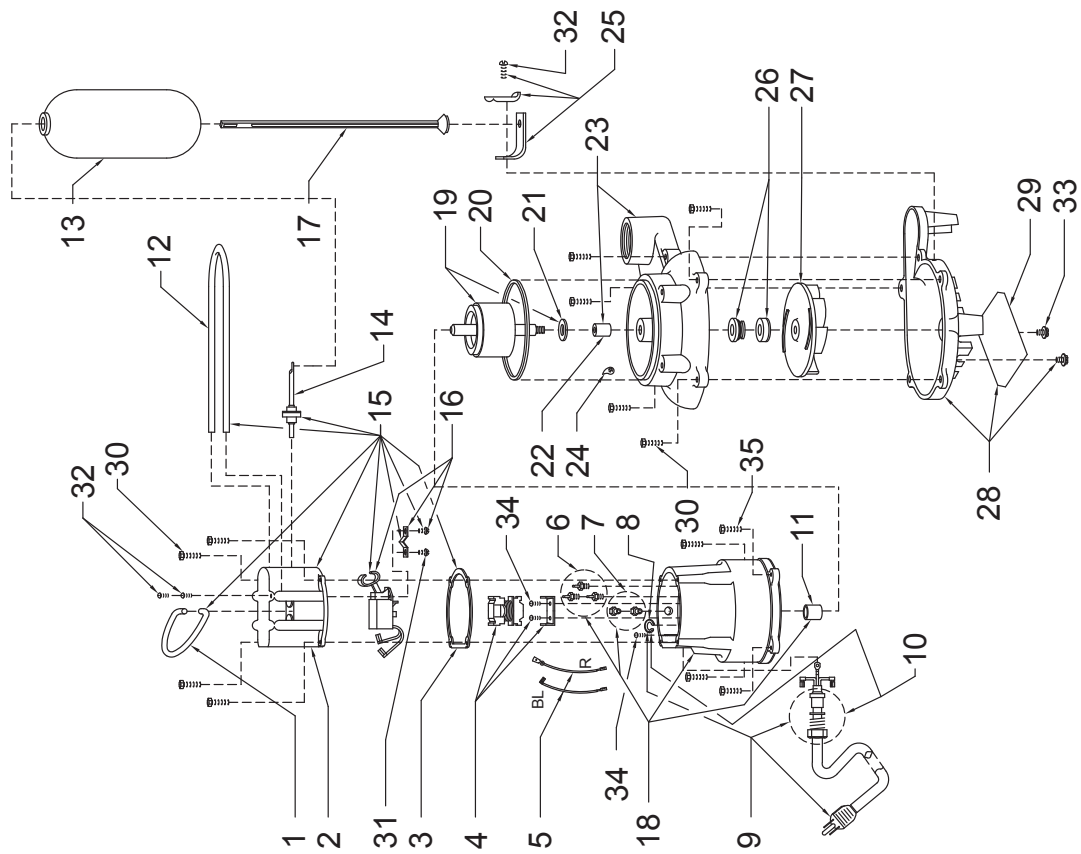
				MODELS:	
				N137-C	E137-C
REF. NO.	DESCRIPTION	QTY	NOTES	9/86 VS thru 04/18	9/86 VS thru 4/18
1	• HANDLE	1		267032	267032
2	COVER & HANDLE ASM	1		267051	267051
3	COVER-MACH	1		267052	267052
4	• GASKET,CASE/COVER	1		267007	267007
5	RELAY ASM	1		002474	147135
6	WIRE PKG	1		267014	267014
7	• SEAL,THRU WALL TERM	3		003402	003402
8	• PLUG,TEST	1		034090	034090
9	• CLAMP,STRAIN RELIEF	1	3, 6	NA	NA
10	CORD TERM & SEAL	1	3	153878	153879
11	• SEAL,CORD-ASM	1		094032	094032
12	BEARING,UPPER ROTOR	1		NA	NA
13	• RETAINER, HANDLE	1		267053	267053
14	HOUSING, MTR REGAL BELOIT	1	1, 2	002475	002476
	HOUSING, MTR EMD			014797	008642
15	• OIL,DIELECTRIC	1		267056	267056
16	ROTOR ASM REGAL BELOIT	1	2	267005	267005
	ROTOR ASM EMD			004021	004021
17	• SEAL,MTR HSG	1		267006	267006
18	• WASHER,THRUST	1		002140	002140
19	BEARING,SLEEVE-LOWER ROTOR	1		NA	NA
20	HOUSING,PUMP-MACH	1		137004	137004
21	• SEAL ASM	1		267027	267027
22	IMPELLER	1		137006	137006
23	BASE & PLATE ASM	1		001509	001509
24	STRAINER PLATE	1		137008	137008
25	• SCREW,#6-32X.25RHM SL TC STLGR	3		001877	001877
26	• SCREW,.25-20X.75 HHM-SS/INDENT	9		001916	001916
27	• SCREW,#10-24 X.375 RHM-SL SS	3		001883	001883
28	• SCREW,SEM/10-24 X.375 RHM-SI	2		002000	002000
29	• SCREW, #.25-20 X .75 HH	1		012491	012491
□	REBUILD KIT	1		004743	004743

- Items included in Rebuild Kit.
- Not shown in illustration

NOTES:

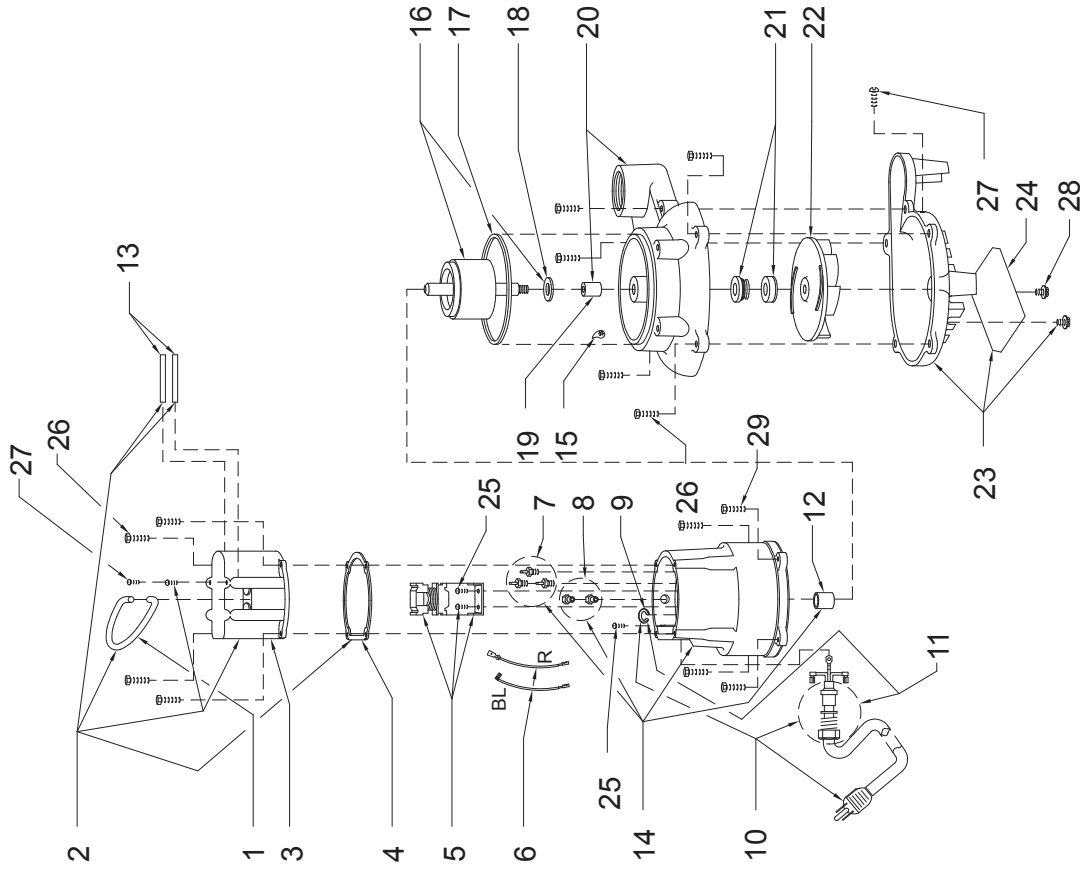
- 1) Motor. housing., bearing., stator & term. (Item 14) are preassembled at the factory and must be replaced as a unit. Stator is permanently attached to the motor housing. Plug (Item 8); seal, thru wall term. (Item 7) and bearing - upper (Item 12) are replaceable.
- 2) When ordering motor housing, bearing, stator and term. (Item 14) or rotor (Item 16) specify either GE or Emerson motor. GE motor can be identified by (4) half oval slots spaced at 90° around the outside diameter or the stator. Emerson motor can be identified by (2) half oval slots or holes spaced 180° around the outside diameter of the stator.
- 3) If an “X” follows model no., or date mfg. on brass ID tag, consult factory for ordering any parts.
- 4) See FM0160 parts price sheet for listing of parts prices.
- 5) “NA” indicates, not applicable.
- 6) Clamp, strain relief (Item 9) is not sold separately, must order seal, cord asm (Item 11).

REPLACEMENT PARTS ILLUSTRATION FOR MODELS "M137" AND "D137"



SK264

REPLACEMENT PARTS ILLUSTRATION FOR MODELS "N137" AND "E137"



SK113

REPLACEMENT PARTS LIST FOR MODELS:

SPLIT PHASE MOTOR DESIGN

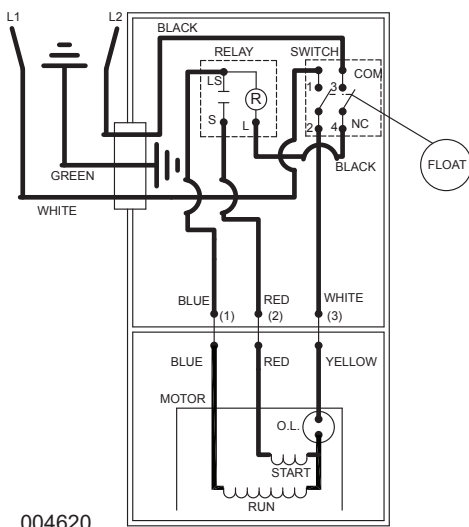
H137 AUTOMATIC 200V/1PH
 I137 NONAUTOMATIC 200V/1PH
 J137 NONAUTOMATIC 200V/3PH
 F137 NONAUTOMATIC 230V/3PH
 G137 NONAUTOMATIC 460V/3PH

Consult factory for all other models

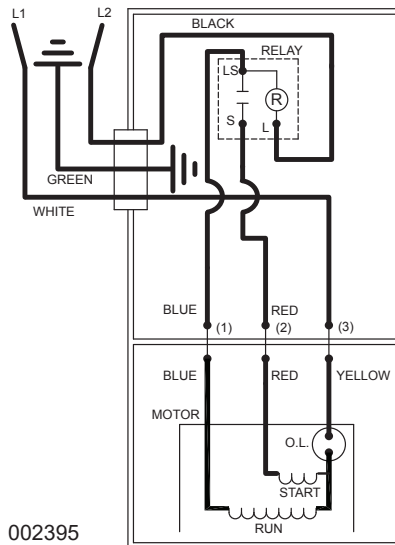
TO ORDER REPLACEMENT PARTS:

PLEASE FURNISH THE FOLLOWING INFORMATION:

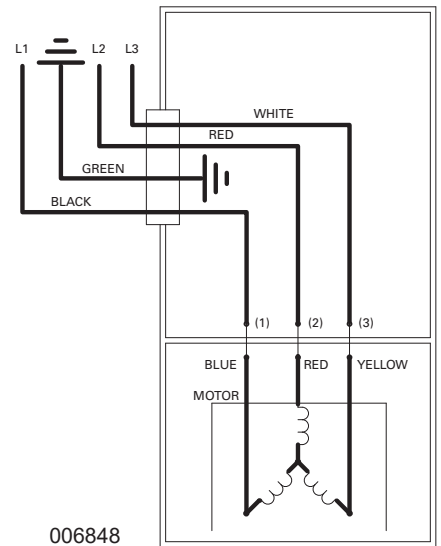
- Model Number.
- Part Number of Pump.
- Part Number and Description of part.



WIRING DIAGRAM FOR MODELS
 "H137" All Revisions
 9/86 thru 1/19



WIRING DIAGRAM FOR MODEL
 "I137" All Revisions
 9/86 thru 1/19



WIRING DIAGRAM FOR MODELS
 "J137", "F137" and "G137" All Revisions
 9/86 thru 12/18

REPLACEMENT PARTS LIST FOR MODEL "H137"

See page 13 for illustration.

				MODEL:	H137-C
REF. NO.	DESCRIPTION	QTY	NOTES	9/86 thru 1/19	
1	• HANDLE	1		267032	
2	CASE-MACH	1		004610	
3	• GASKET, CASE/COVER	1		267007	
4	RELAY ASM	1		001536	
5	• WIRE PKG (2) WIRES	1		267014	
6	• SEAL, THRU WALL TERM.	3		003402	
7	• PLUG, TEST	2		034090	
8	• CLAMP, STRAIN RELIEF	1		001770	
9	CORD TERM. & SEAL	1		006930	
10	• SEAL, CORD-ASM. & STRAIN RELIEF	1		094032	
11	• GUARD	1		267008	
12	FLOAT, POLYPROPYLENE	1		034019	
13	• ARM & SEAL ASM.	1		004741	
14	CASE & SWITCH ASM.	1		004739	
15	SWITCH ASM.	1		004740	
16	ROD, FLOAT-MOLDED	1		001526	
17	HOUSING, MTR. & STR.	1	1, 2	003781	
18	ROTOR ASM.	1	2	267005	
19	• SEAL MTR. HSG.	1		267006	
20	• WASHER, TRST.-NYL.	1		002140	
21	HOUSING, PUMP-MACH.	1		137004	
22	• OIL, DIELECTRIC (24.5 OZ)	1		267056	
23	GUIDE ASM., FLT. ROD	1		004676	
24	• SEAL ASM., SHAFT	1		267027	
25	IMPELLER "137"	1		137006	
26	BASE, MACH.	1		001509	
27	• SCREW, .25-20X.75 HHM-SS	9		001916	
28	• SCREW, #6-32X.438RH PH TP PE 23	2		004644	
29	• SCREW, #10-24X.375RHM-SL SS	3		001883	
30	• SCREW, #6-32X.25RHM SLTC STLGR	3		001877	
31	• SCREW, .25-20X.875"LG HH SS	4		012491	
□	REBUILD KIT, 3PH "137"	1		009508	

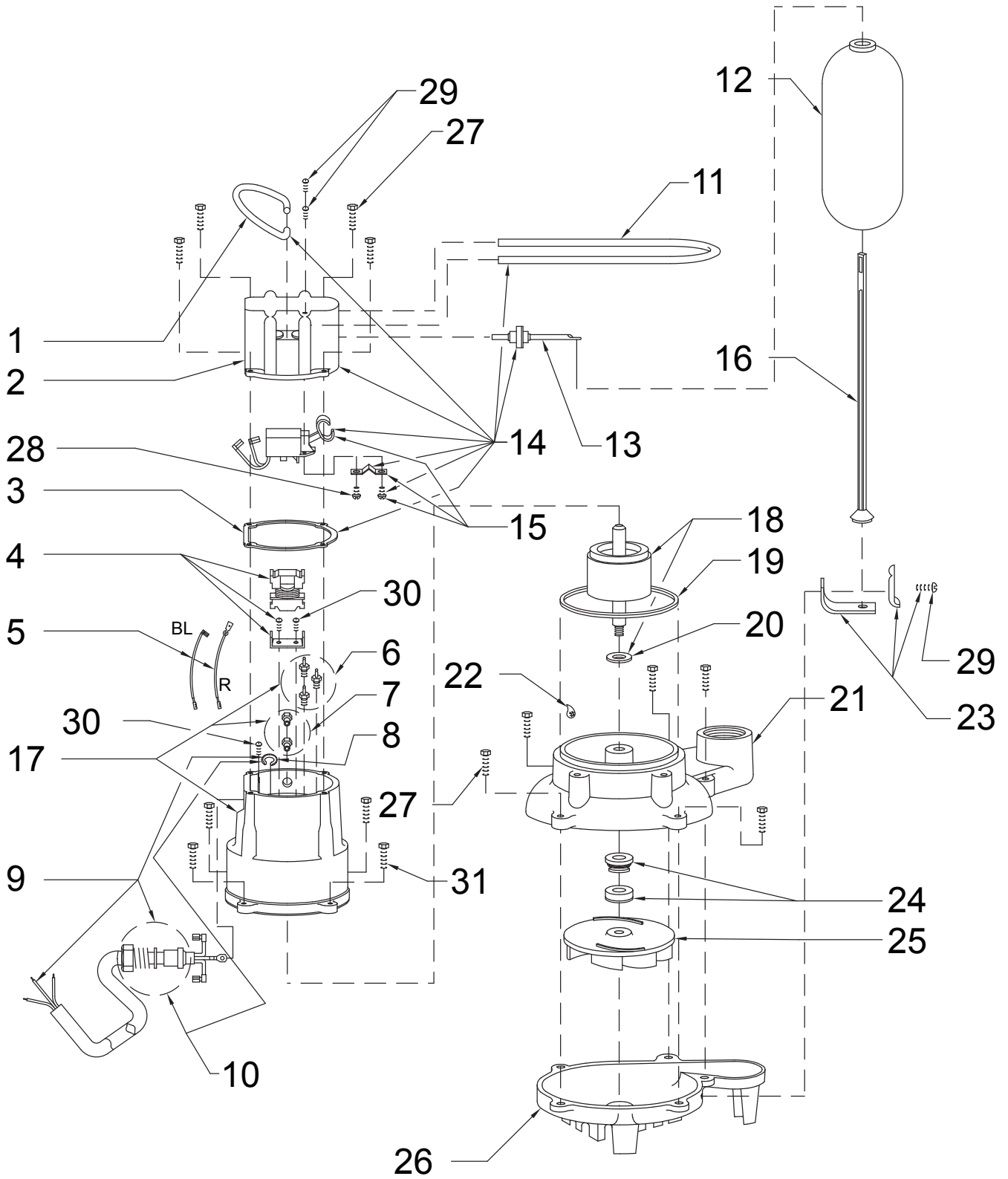
• Items included in Rebuild Kit.

□ Not shown in illustration.

NOTES:

- 1) Motor housing, bearing, stator & terminal (Item 17) are preassembled at the factory and must be replaced as a unit. Stator is permanently attached to motor housing. Plug, test (Item 7) and seal, thru wall terminal (Item 6) are replaceable.
- 2) When ordering motor housing, bearing, stator and terminal, or rotor and bearing, specify either GE or Emerson motor.
- 3) See FM0160 parts price sheet for listing of parts prices.

REPLACEMENT PARTS ILLUSTRATION FOR MODELS "H137"



SK2608

REPLACEMENT PARTS LIST FOR MODEL "I137"

See page 15 for illustration.

				MODEL:	I137-C
REF. NO.	DESCRIPTION	QTY	NOTES	9/86 thru 1/19	
1	• HANDLE	1		267032	
2	COVER & HANDLE ASM	1		267051	
3	COVER & GASKET/NA	1		267052	
4	• GASKET,CASE/COVER	1		267007	
5	RELAY ASM	1		001536	
6	• WIRE PKG (2)WIRES	1		267014	
7	• SEAL,THRU WALL TERM	3		003402	
8	• PLUG,TEST	2		034090	
9	• CLAMP,STRAIN RELIEF	1		001770	
10	CORD TERM&SEAL 15'	1		007071	
11	• SEAL,CORD ASM & STRAIN RELIEF	1		011626	
12	RETAINER,HDL-NA	2		267053	
13	HOUSING,MTR-& STR	1	1, 2	003781	
14	• OIL,DIELECTRIC (24.5 OZ)	1		267056	
15	ROTOR ASM	1	2	267005	
16	• SEAL,MTR HSG	1		267006	
17	• WASHER,TRST-NYL	1		002140	
18	HOUSING,PUMP-MACH	1		137004	
19	• SEAL ASM,SHAFT	1		267027	
20	IMPELLER "137"	1		137006	
21	BASE-MACH	1		001509	
22	• SCREW,#6-32X.25RHM SL TC STLGR	2		001877	
23	• SCREW,.25-20X.75 HHM-SS/INDENTED/UNSLOTTED	9		001916	
24	• SCREW,#10-24 X.375 RHM-SL SS	3		001883	
25	• SCREW,.25-20X.875"LG HH SS/INDENTED/UNSLOTTED	4		012491	
□	REBUILD KIT "130/260" (9/86 THRU CURRENT)	1		004743	

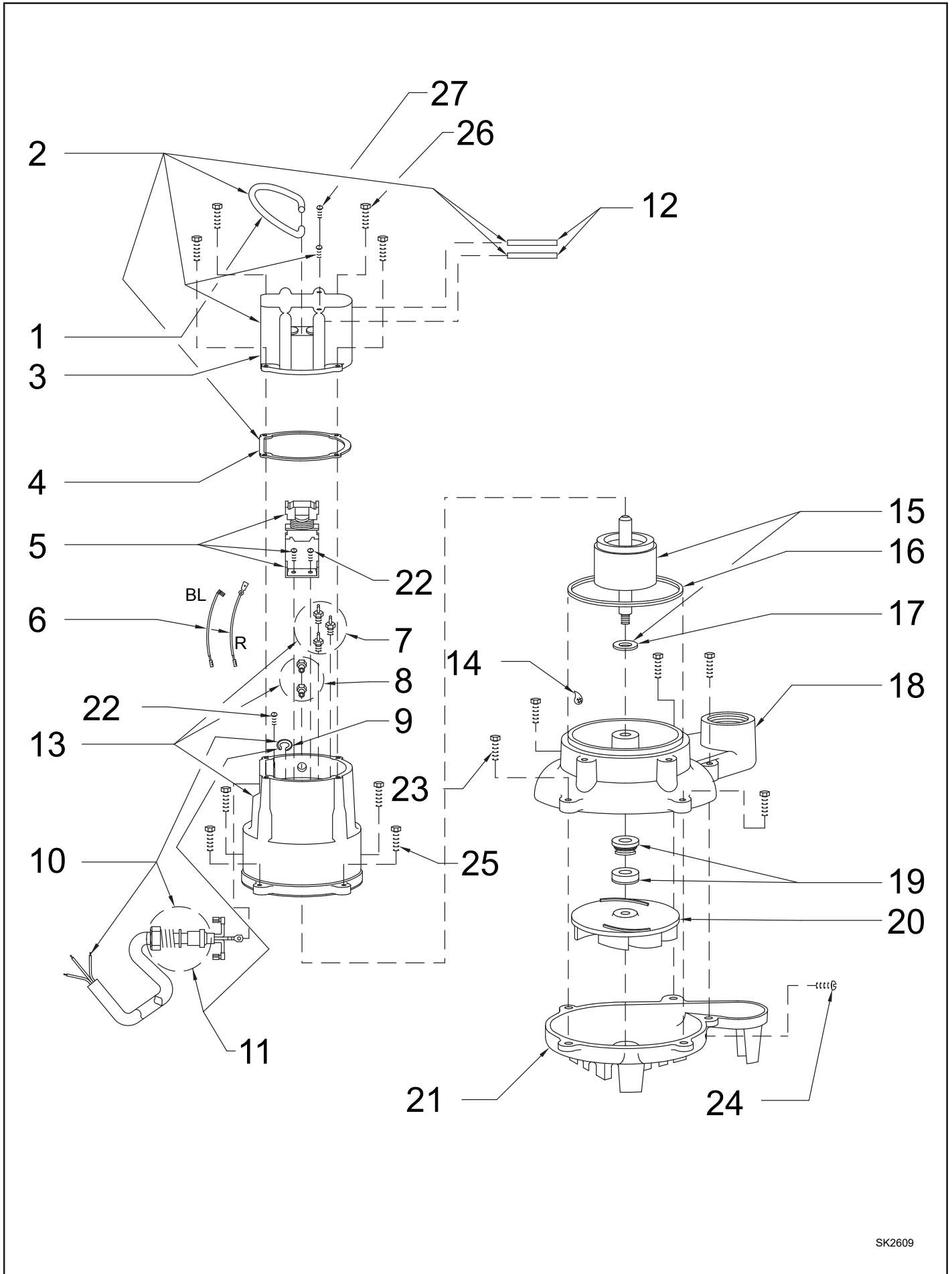
• Items included in Rebuild Kit.

□ Not shown in illustration.

NOTES:

- 1) Motor housing, bearing, stator & terminal (Item 13) are preassembled at the factory and must be replaced as a unit. Stator is permanently attached to motor housing. Plug, test (Item 8) and seal, thru wall terminal (Item 7) are replaceable.
- 2) When ordering motor housing, bearing, stator and terminal, or rotor and bearing, specify either GE or Emerson motor.
- 3) See FM0160 parts price sheet for listing of parts prices.

REPLACEMENT PARTS ILLUSTRATION FOR MODELS "I137"



SK2609

REPLACEMENT PARTS LIST FOR MODEL "F, G & J137"

See page 17 for illustration.

REF. NO.	DESCRIPTION	QTY	NOTES	MODELS:			
				F137-C	G137-C	J137-C	
1	COVER & HANDLE ASM	1		10/92 thru 12/18	267051	267051	267051
2	• HANDLE	1			267032	267032	267032
3	COVER & GASKET/NA	1			267052	267052	267052
4	• GASKET, CASE/COVER	1			267007	267007	267007
5	HOUSING, MTR & STR	1	1 & 2	004966		009510	009511
6	CLAMP, STRAIN RELIEF	1		001770		001770	001770
7	CORDAGE TERM & SEAL/15'	1		003761		003761	003761
8	• SEAL, CORD-ASM & STRAIN RELIEF	1		011656		011656	011656
9	• PLUG, TEST	2		034090		034090	034090
10	• SEAL, THRU WALL TERM	3		003402		003402	003402
11	RETAINER, HDL-NA	2		267053		267053	267053
12	• SCREW, #10-24X.375 RHM-SL SS	3		001883		001883	001883
13	• SCREW, .25-20X.75 HHM-SS	9		001916		001916	001916
14	ROTOR ASM	1	2	009506		009506	009506
15	• WASHER, TRST-NYL	1		002140		002140	002140
16	• SEAL, MTR HSG	1		267006		267006	267006
17	• OIL, DIELECTRIC (24.5 OZ)	1		267056		267056	267056
18	HOUSING, PUMP-MACH	1		137004		137004	137004
19	• SEAL ASM, SHAFT	1		267027		267027	267027
20	IMPELLER 3PH "137"	1		009507		009507	009507
21	BASE-MACH	1		001509		001509	001509
22	• SCREW, #6-32X.25RHM SL TC STLGR	3		001877		001877	001877
23	NUT 5/16-24 ACORN	1		004348		004348	004348
24	• SCREW, .25-20X.875"LG HH SS	4		012491		012491	012491
□	REBUILD KIT 3PH "137"	1		009508		009508	009508

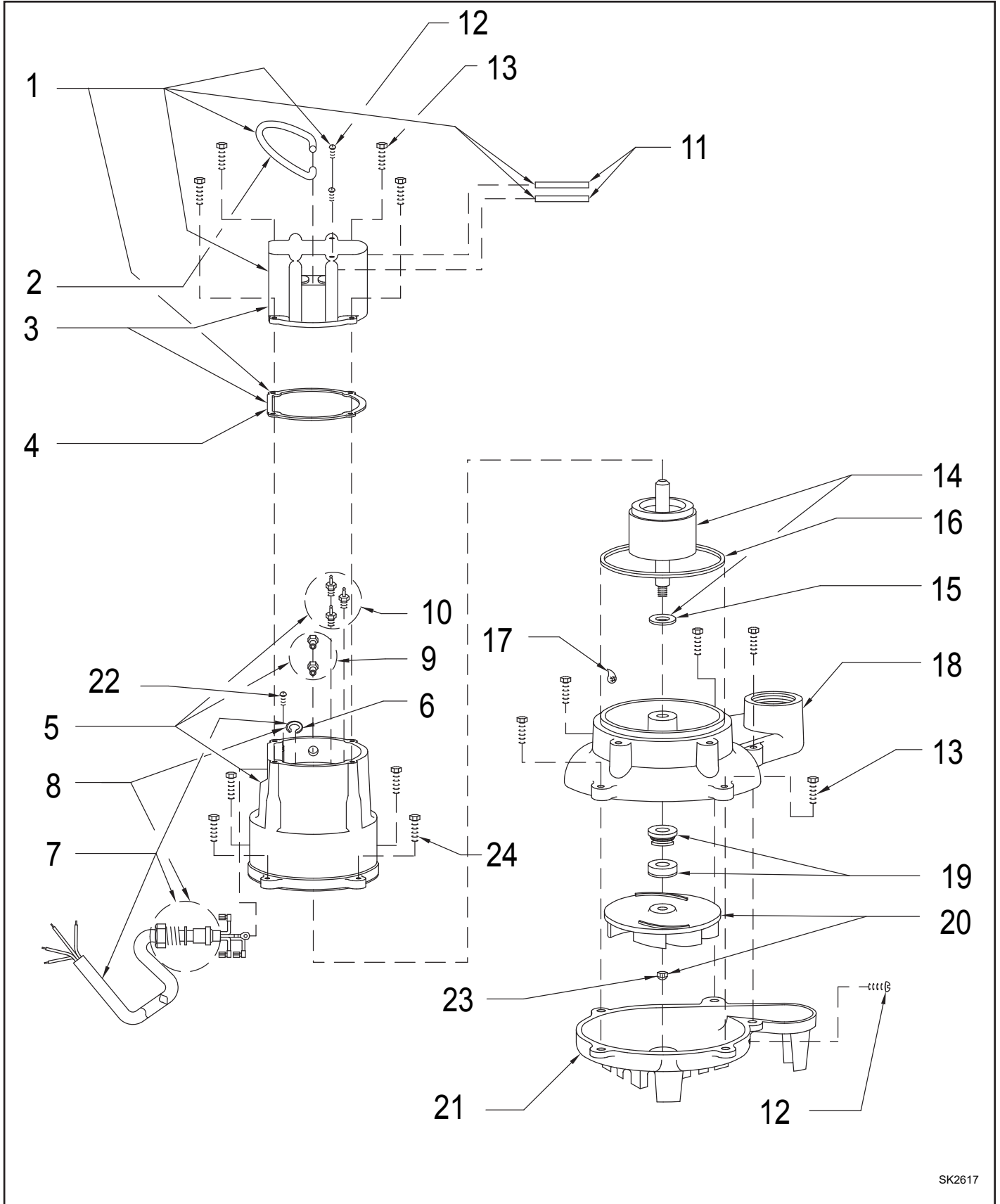
• Items included in Rebuild Kit.

□ Not shown in illustration.

NOTES:

- 1) Motor housing, bearing, stator & terminal (Item 5) are preassembled at the factory and must be replaced as a unit. Stator is permanently attached to motor housing. Plug, test (Item 9) and seal, thru wall terminal (Item 10) are replaceable.
- 2) When ordering motor housing, bearing, stator and terminal, or rotor and bearing, specify either GE or Emerson motor.
- 3) See FM0160 parts price sheet for listing of parts prices.

REPLACEMENT PARTS ILLUSTRATION FOR MODELS "F, G & J137"



SK2617



MAIL TO: P.O. BOX 16347 • Louisville, KY 40256-0347
SHIP TO: 3649 Cane Run Road • Louisville, KY 40211-1961
(502) 778-2731 • 1 (800) 928-PUMP • FAX (502) 774-3624

Visit our website:
zoellerpumps.com

Trusted. Tested. Tough.®
