

Trusted. Tested. Tough.®

Product information presented here reflects conditions at time of publication. Consult factory regarding discrepancies or inconsistencies.



DRAINAGE SOLUTIONS, INC

(317) 346-4110

www.drainagesolutionsinc.com

SECTION: 2.15.070

FM2783

0419

Supersedes

0617

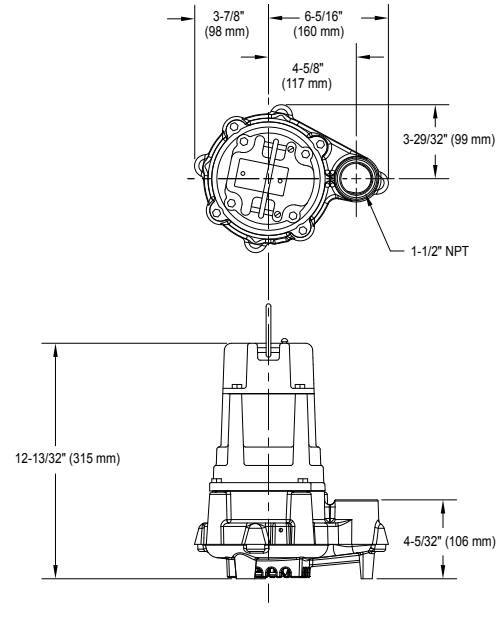
TECHNICAL DATA SHEET FLOW-MATE SERIES

Models 140/4140, 145/4145 Effluent / Dewatering Pumps

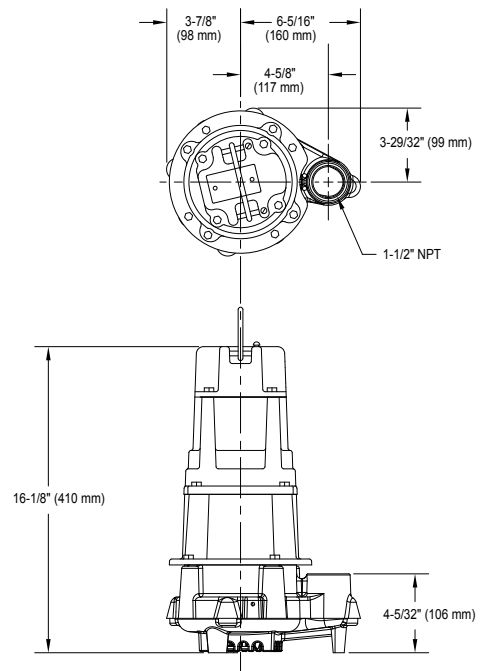
PRODUCT SPECIFICATIONS

MOTOR	Horse Power	3/4 - 1
	Voltage	115 or 230
	Phase	1 Ph
	Hertz	60 Hz
	RPM	3450
	Type	Permanent split capacitor
	Insulation	Class B
	Amps	6.0 - 13.0
PUMP	Operation	Automatic or nonautomatic
	Discharge Size	1-1/2" NPT
	Solids Handling	1/2" (12 mm), 3/4" (19 mm) spherical solids
	Cord Length	20' (6 m)
	Cord Type	UL listed, neoprene cord
	Max. Head	50' (15.2 m) or 74' (22.6 m)
	Max. Flow Rate	86 GPM (326 LPM) or 61 GPM (232 LPM)
	Max. Operating Temp.	130 °F (54 °C)
	Cooling	Oil filled
	Motor Protection	Auto reset thermal overload
MATERIALS	Cap	Cast iron
	Motor Housing	Cast iron
	Pump Housing	Cast iron
	Base	Cast iron
	Upper Bearing	Sleeve bearing
	Lower Bearing	Ball bearing
	Mechanical Seals	Carbon and ceramic
	Impeller Type	Single vane (145) or non-clogging vortex (140)
	Impeller	Engineered thermoplastic
	Hardware	Stainless steel
	Motor Shaft	JIS S45C steel
	Gasket	Neoprene

SINGLE SEAL



DOUBLE SEAL



SK1524

NOTE: See model comparison chart for specific details.

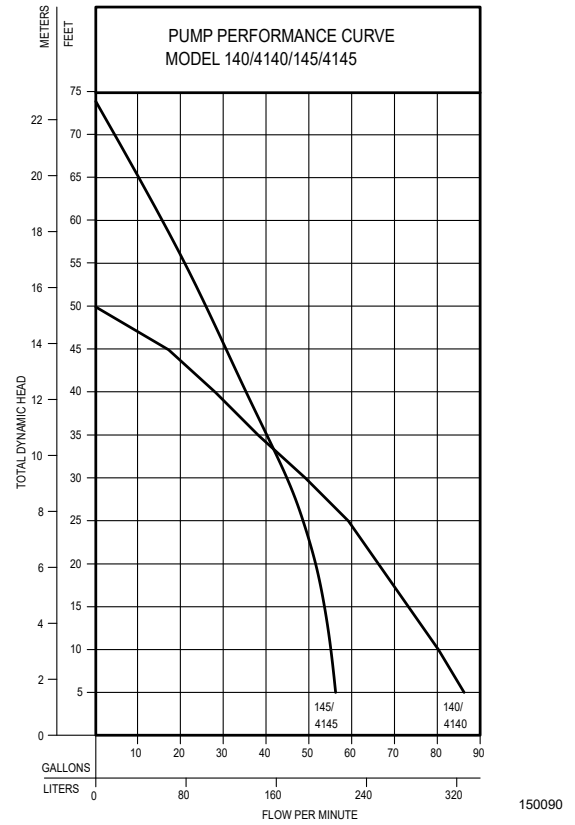


© Copyright 2019 Zoeller® Co. All rights reserved.

502-778-2731 | 800-928-7867 | 3649 Cane Run Road | Louisville, KY 40211-1961 | zoellerpump.com

TOTAL DYNAMIC HEAD FLOW PER MINUTE

MODEL		140/4140		145/4145	
Feet	Meters	Gal.	Liters	Gal.	Liters
5	1.5	86	326	56	212
10	3.0	80	303	55	208
15	4.6	73	276	53	200
20	6.1	66	250	51	193
25	7.6	59	223	48	182
30	9.1	49	185	45	170
40	12.2	28	106	35	132
50	15.2	--	--	26	98
60	18.3	--	--	16	61



Model	MODEL COMPARISON										
	Seal	Mode	Volts	Ph	Amps	HP	Hz	Lbs	Kg	Simplex	Duplex
N140	Single	Non	115	1	12.0	1	60	46	21	1 or 2	3
E140	Single	Non	230	1	6.0	1	60	46	21	1 or 2	3
BN140	Single	Auto	115	1	12.0	1	60	47	21	*	---
BE140	Single	Auto	230	1	6.0	1	60	47	21	*	---
E145	Single	Non	230	1	6.0	3/4	60	46	21	1 or 2	3
N145	Single	Non	115	1	13.0	3/4	60	46	21	1 or 2	3
BN145	Single	Auto	115	1	13.0	3/4	60	48	22	*	---
N4140	Double	Non	115	1	12.0	1	60	65	29	*	---
E4140	Double	Non	230	1	6.0	1	60	65	29	1 or 2	3
BN4140	Double	Auto	115	1	12.0	1	60	66	30	*	---
BE4140	Double	Auto	230	1	6.0	1	60	66	30	*	---
N4145	Double	Non	115	1	13.0	3/4	60	64	29	1 or 2	3
BN4145	Double	Auto	115	1	13.0	3/4	60	64	29	*	---

* Single piggyback switch included.

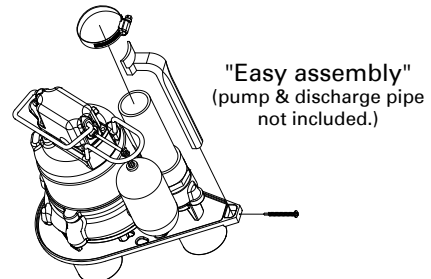
BN and BE models include a 20' (6 m) piggyback variable level pump switch. Additional cord lengths are available in 15' (5 m), 25' (8 m), 35' (11 m) and 50' (15 m). 50' (15 m) cord length is for 230 V only.

SELECTION GUIDE

- For automatic, use single piggyback variable level float switch or double piggyback variable level float switch. Refer to FM0477.
- See FM1228 for correct model of simplex control panel.
- See FM0712 for correct model of duplex control panel.

OPTIONAL PUMP STAND P/N 10-2421

- Reduces potential clogging by debris
 - Replaces rocks or bricks under the pump
 - Made of durable, noncorrosive ABS
 - Raises pump 2" (5 cm) off bottom of basin
 - Provides the ability to raise intake by adding sections of 1-1/2" or 2" (DN40 or DN50) PVC piping
 - Attaches securely to pump
 - Accommodates sump, dewatering and effluent applications
- NOTE: Make sure float is free from obstruction.



All installation of controls, protection devices and wiring should be done by a qualified licensed electrician. All electrical and safety codes should be followed including the most recent National Electrical Code (NEC) and the Occupational Safety and Health Act (OSHA).

© Copyright 2019 Zoeller® Co. All rights reserved.

502-778-2731 | 800-928-7867 | 3649 Cane Run Road | Louisville, KY 40211-1961 | zoellerpump.com