

Trusted. Tested. Tough.®

Product information presented here reflects conditions at time of publication. Consult factory regarding discrepancies or inconsistencies.



FM1032
1020
Supersedes
0319



**DRAINAGE
SOLUTIONS, INC**

(317)346-4110

www.drainagesolutionsinc.com

MAIL TO: P.O. BOX 16347 • Louisville, KY 40256-0347
SHIP TO: 3649 Cane Run Road • Louisville, KY 40211-1961
TEL: (502) 778-2731 • 1 (800) 928-PUMP • FAX: (502) 774-3624

Visit our website:
zoellerpumps.com

REPLACEMENT PARTS LIST FOR MODELS:

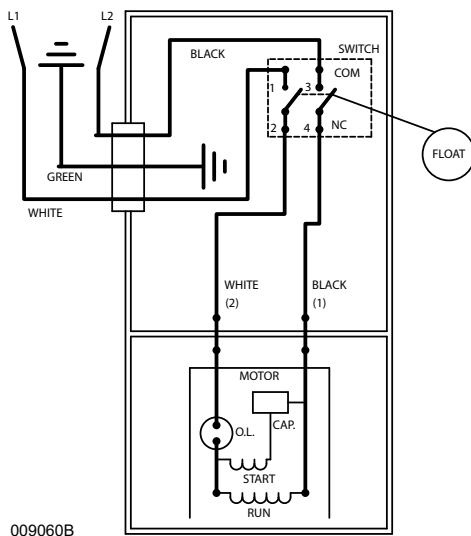
M98 AUTOMATIC 115V
D98 AUTOMATIC 230V
N98 NONAUTOMATIC 115V
E98 NONAUTOMATIC 230V

Consult factory for all other models.

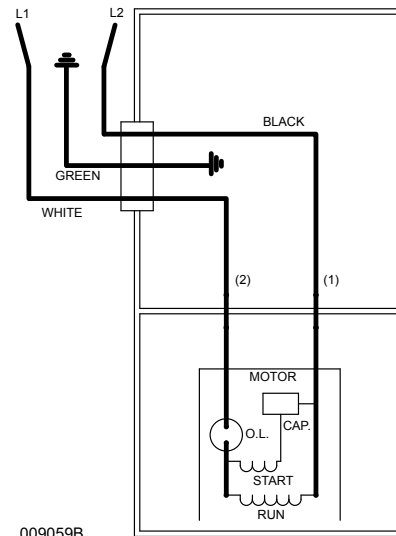
TO ORDER REPLACEMENT PARTS:

PLEASE FURNISH THE FOLLOWING INFORMATION:

- Model number.
- Part number of pump.
- Part number and description of part.



WIRING DIAGRAM FOR MODELS
"M98-"All revisions"
"D98-"All revisions"
11/90 thru Current



WIRING DIAGRAM FOR MODELS
"N98-"All revisions"
"E98-"All revisions"
11/90 thru Current

REPLACEMENT PARTS LIST FOR MODELS "M98" & "D98"

See back page for "M98" and "D98" illustration.

REF. NO.	DESCRIPTION	QTY	NOTES	MODELS: M98-A				D98-A	D98-B	D98-C	D98-D	
				11/90 thru 11/95	12/95 thru 08/09	09/09 thru Current	05/20 thru Current					
1	• GASKET,CASE/COVER	1		034046	034046	034046	034046	034046	034046	034046	034046	
2	• CLAMP,STRAIN RELIEF-RED	1		004200	004200	N/A	N/A	004200	004200	N/A	N/A	
3	• SEAL,CORD-ASM	1		156401	156401	156401	156401	156401	156401	156401	156401	
4	CORD TERM & SEAL 15'	1	3	004723	004723	004723	004723	004735	004735	004735	004735	
5	STATOR W/SCREWS 115V/1PH - ZMW	1	4, 5	N/A	010271	010271	010271	N/A	N/A	N/A	N/A	
	STATOR W/SCREWS 230V/1PH - ZMW			N/A	N/A	N/A	N/A	N/A	010272	010272	010272	
	STATOR W/SCREWS 115V/1PH - EMD			010463	N/A	N/A	N/A	N/A	N/A	N/A	N/A	N/A
	STATOR W/SCREWS 230V/1PH - EMD			N/A	N/A	N/A	N/A	N/A	010464	N/A	N/A	N/A
	STATOR W/SCREWS 115V/1PH - ZT			N/A	012084	012084	012084	N/A	N/A	N/A	N/A	N/A
6	ROTOR ASM 115/230V/1PH - ZMW	1	4	N/A	010270	010270	010270	N/A	010270	010270	010270	
	ROTOR ASM 115/230V/1PH - EMD			010463	N/A	N/A	N/A	010464	N/A	N/A	N/A	
	ROTOR ASM 115V/1PH - ZT			N/A	012085	012085	012085	N/A	N/A	N/A	N/A	
7	• SEAL,MTR HSG	1		034007	034007	034007	034007	034007	034007	034007		
8	• WASHER,TRST-NYL.875X.504X.050"	1		002140	002140	002140	002140	002140	002140	002140		
9	• OIL,DIELECTRIC (30.5 OZ CAN)	1		007051	007051	007051	007051	007051	007051	007051		
10	HOUSING,PUMP-MACH "98"	1		006107	006107	150149	150149	006107	006107	150149	150149	
11	• SEAL ASM,SHAFT-BLISTER PAK	1		267027	267027	267027	267027	267027	267027	267027	267027	
12	IMPELLER "98"	1		002570	002570	002570	002570	002570	002570	002570	002570	
13	BASE - CAST IRON	1		006333	006333	006333	N/A	006333	006333	006333	N/A	
	BASE - PLASTIC			N/A	N/A	N/A	156173	N/A	N/A	N/A	156173	
14	CASE HANDLE & ARM "98"	1		004725	004725	004725	004725	004725	004725	004725	004725	
15	• PLUG,TEST-WHITE	2		034090	034090	034090	034090	034090	034090	034090	034090	
16	• ARM & SEAL ASM	1		004704	004704	004704	004704	004704	004704	004704	004704	
17	CASE & SWITCH "98"	1		004702	004702	004702	004702	004702	004702	004702	004702	
18	• SEAL,THRU WALL TERM	2		003402	003402	003402	003402	003402	003402	003402	003402	
19	GUARD "55/59/98"	1		004645	004645	004645	004645	004645	004645	004645	004645	
20	HOUSING,MTR	1		004712	004712	004712	004712	004712	004712	004712	004712	
21	CAPACITOR	1		007642	007642	007642	007642	007642	007642	007642	007642	
22	SWITCH ASM	1		004705	004705	004705	004705	004705	004705	004705	004705	
23	FLOAT-POLYPROPYLENE	1		034019	034019	034019	034019	034019	034019	034019	034019	
24	ROD,FLOAT-MOLDED "98"	1		006215	006215	006215	006215	006215	006215	006215	006215	
25	GUIDE ASM,FLT ROD	1		034086	034086	034086	034086	034086	034086	034086	034086	
26	• SEM,10-24X.375HH-SL TC.688WASH	1		002000	002000	002000	N/A	002000	002000	002000	N/A	
27	• SCREW,SEM 10-12X.5HH-SLSHMT SC R TP A	1		N/A	N/A	N/A	003229	N/A	N/A	N/A	003229	
28	• SCREW,#10-24 X.75 RHM-SL SS	16		001885	001885	001885	001885	001885	001885	001885	001885	
29	• SCREW,#6-32X.25RHM SL TC STLGR	1		001877	001877	001877	001877	001877	001877	001877	001877	
30	• SCREW, STATOR	2		001914	001914	150099	150099	001914	001914	150099	150099	
	SCREW,#6-32X.438RHSLTP"1"STLZI	2		004644	004644	004644	004644	004644	004644	004644	004644	
□	REBUILD KIT "98"	1	5	006949	006949	006949	006949	006949	006949	006949	006949	

• Items included in Rebuild Kit.

□ Not Shown in Illustration.

NOTES:

- 1) See FM0160 Parts Price Sheet for listing of part prices.
- 2) "N/A indicates, not applicable.
- 3) If an "X" follows Model No. or Date Mfg. on ID tag, consult factory for ordering of this part.
- 4) When ordering these parts, customer must identify ZMW, EMD or ZT.
- 5) Kits are supplied with two different length screws for mounting stators.
During assembly verify length and ensure screws are seated properly.

REPLACEMENT PARTS LIST FOR MODELS "N98" & "E98"

See back page for "N98" and "E98" illustration.

REF. NO.	DESCRIPTION	QTY	NOTES	MODELS: N98-A				MODELS: N98-B				MODELS: N98-C				MODELS: N98-D			
				11/90 thru 11/95	12/95 thru 08/09	09/09 thru 04/20	05/20 thru Current	11/90 thru 1/96	02/96 thru 08/09	09/09 thru 04/20	05/20 thru Current	11/90 thru 1/96	02/96 thru 08/09	09/09 thru 04/20	05/20 thru Current	11/90 thru 1/96	02/96 thru 08/09	09/09 thru 04/20	05/20 thru Current
1	• GASKET,CASE/COVER	1		034046	034046	034046	034046	034046	034046	034046	034046	034046	034046	034046	034046	034046	034046		
2	• CLAMP,STRAIN RELIEF-RED	1		004200	004200	N/A	N/A	004200	004200	N/A	N/A	004200	004200	N/A	N/A	004200	004200		
3	• SEAL,CORD-ASM	1		156401	156401	156401	156401	156401	156401	156401	156401	156401	156401	156401	156401	156401	156401		
4	CORD TERM & SEAL 15'	1	3	004736	004736	004736	004736	004736	004736	004736	004736	004736	004736	004736	004736	004736	004736		
5	STATOR W/SCREWS 115V/1PH - ZMW	1	4, 5	N/A	010271	010271	010271	N/A	N/A	N/A	N/A	N/A	N/A	N/A	N/A	N/A	N/A		
	STATOR W/SCREWS 230V/1PH - ZMW			N/A	N/A	N/A	N/A	N/A	N/A	N/A	N/A	N/A	N/A	N/A	010272	010272	010272	010272	
	STATOR W/SCREWS 115V/1PH - EMD			010463	N/A	N/A	N/A	N/A	N/A	N/A	N/A	N/A	N/A	N/A	N/A	N/A	N/A	N/A	N/A
	STATOR W/SCREWS 230V/1PH - EMD			N/A	N/A	N/A	N/A	N/A	N/A	N/A	N/A	N/A	N/A	N/A	010464	N/A	N/A	N/A	N/A
	STATOR W/SCREWS 115V/1PH - ZT			N/A	012084	012084	012084	012084	N/A	N/A	N/A	N/A	N/A	N/A	N/A	N/A	N/A	N/A	N/A
6	ROTOR ASM 115/230V/1PH - ZMW	1	4	N/A	010270	010270	010270	N/A	N/A	N/A	N/A	N/A	N/A	N/A	N/A	N/A	N/A		
	ROTOR ASM 115/230V/1PH - EMD			010463	N/A	N/A	N/A	N/A	N/A	N/A	N/A	N/A	N/A	010464	N/A	N/A	N/A	N/A	
	ROTOR ASM 115V/1PH - ZT			N/A	012085	012085	012085	N/A	N/A	N/A	N/A	N/A	N/A	N/A	N/A	N/A	N/A	N/A	
7	• SEAL,MTR HSG	1		034007	034007	034007	034007	034007	034007	034007	034007	034007	034007	034007	034007	034007	034007		
8	• WASHER,TRST-NYL.875X.504X.050"	1		002140	002140	002140	002140	002140	002140	002140	002140	002140	002140	002140	002140	002140	002140		
9	• OIL,DIELECTRIC (30.5 OZ CAN)	1		007051	007051	007051	007051	007051	007051	007051	007051	007051	007051	007051	007051	007051	007051		
10	HOUSING,PUMP-MACH "98"	1		006107	006107	150149	150149	006107	006107	150149	150149	006107	006107	150149	150149	006107	006107		
11	• SEAL ASM,SHAFT-BLISTER PAK	1		267027	267027	267027	267027	267027	267027	267027	267027	267027	267027	267027	267027	267027	267027		
12	IMPELLER "98"	1		002570	002570	002570	002570	002570	002570	002570	002570	002570	002570	002570	002570	002570	002570		
13	BASE - CAST IRON	1		006333	006333	006333	N/A	006333	006333	006333	N/A	006333	006333	006333	N/A	006333	N/A		
	BASE - PLASTIC			N/A	N/A	N/A	156173	N/A	N/A	N/A	156173	N/A	N/A	N/A	156173	N/A	156173		
14	COVER HANDLE "98"	1		002580	002580	002580	002580	002580	002580	002580	002580	002580	002580	002580	002580	002580	002580		
15	• PLUG,TEST-WHITE	2		034090	034090	034090	034090	034090	034090	034090	034090	034090	034090	034090	034090	034090	034090		
16	• SEAL,THRU WALL TERM	2		003402	003402	003402	003402	003402	003402	003402	003402	003402	003402	003402	003402	003402	003402		
17	HOUSING,MTR	1		004712	004712	004712	004712	004712	004712	004712	004712	004712	004712	004712	004712	004712	004712		
18	CAPACITOR	1		007642	007642	007642	007642	007642	007642	007642	007642	007642	007642	007642	007642	007642	007642		
19	• SEM,10-24X.375HH-SL TC.688WASH	1		002000	002000	002000	N/A	002000	002000	002000	N/A	002000	002000	002000	N/A	002000	N/A		
20	• SCREW,#10-24 X.75 RHM-SL SS	16		001885	001885	001885	001885	001885	001885	001885	001885	001885	001885	001885	001885	001885	001885		
21	• SCREW,#6-32X.25RHM SL TC STLGR	1		001877	001877	001877	001877	001877	001877	001877	001877	001877	001877	001877	001877	001877	001877		
22	• SCREW, STATOR	2		001914	001914	150099	150099	001914	001914	150099	150099	001914	001914	150099	150099	001914	001914		
□	REBUILD KIT "98"	1	5	006949	006949	006949	006949	006949	006949	006949	006949	006949	006949	006949	006949	006949	006949		

- Items included in Rebuild Kit.
- Not Shown in Illustration.

NOTES:

- 1) See FM0160 Parts Price Sheet for listing of part prices.
- 2) "N/A indicates, not applicable.
- 3) If an "X" follows Model No. or Date Mfg. on ID tag, consult factory for ordering of this part.
- 4) When ordering these parts, customer must identify ZMW, EMD or ZT.
- 5) Kits are supplied with two different length screws for mounting stators. During assembly verify length and ensure screws are seated properly.

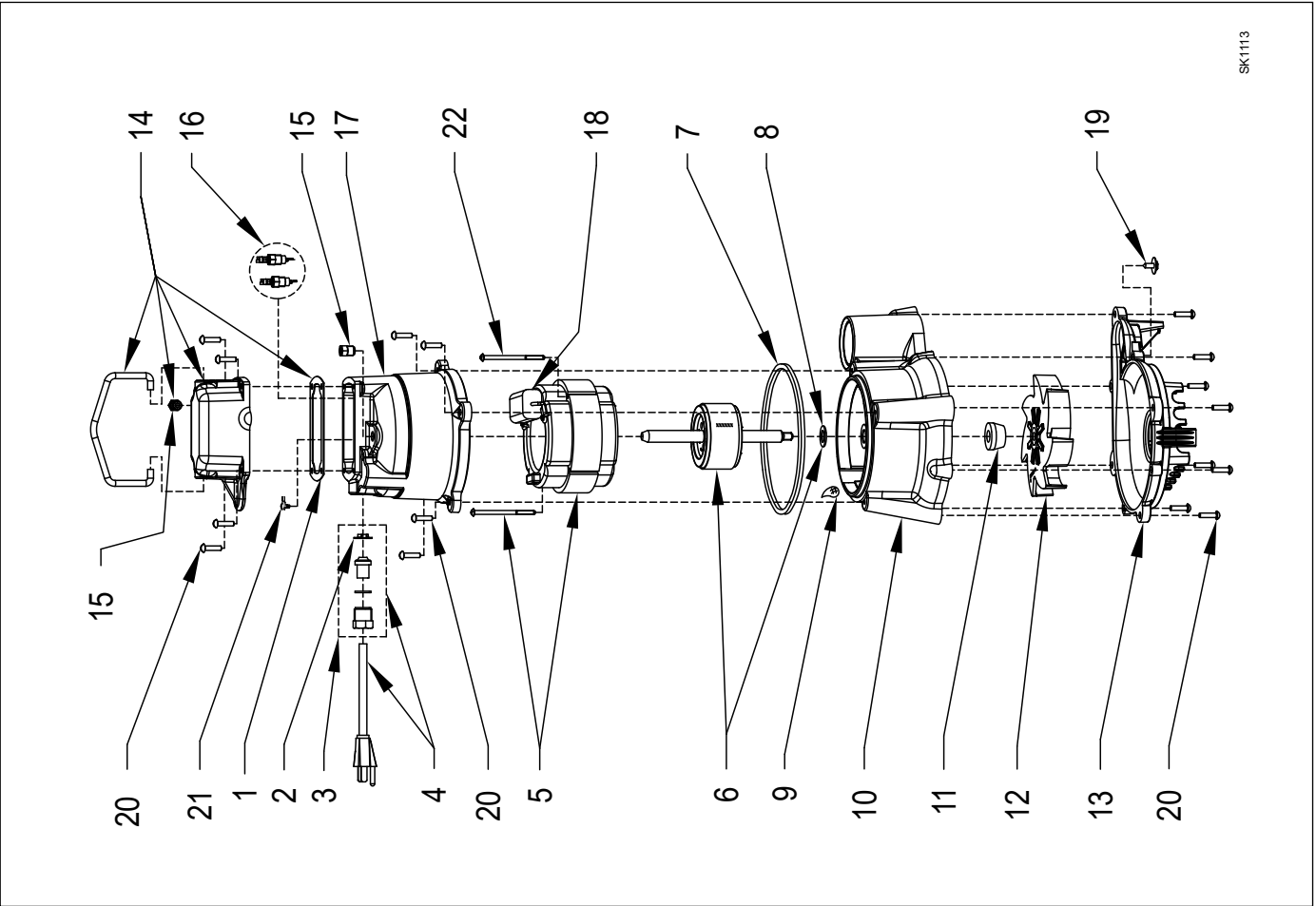


MAIL TO: P.O. BOX 16347 • Louisville, KY 40256-0347
 SHIP TO: 3649 Cane Run Road • Louisville, KY 40211-1961
 (502) 778-2731 • 1 (800) 928-PUMP • FAX (502) 774-3624

Trusted. Tested. Tough.®

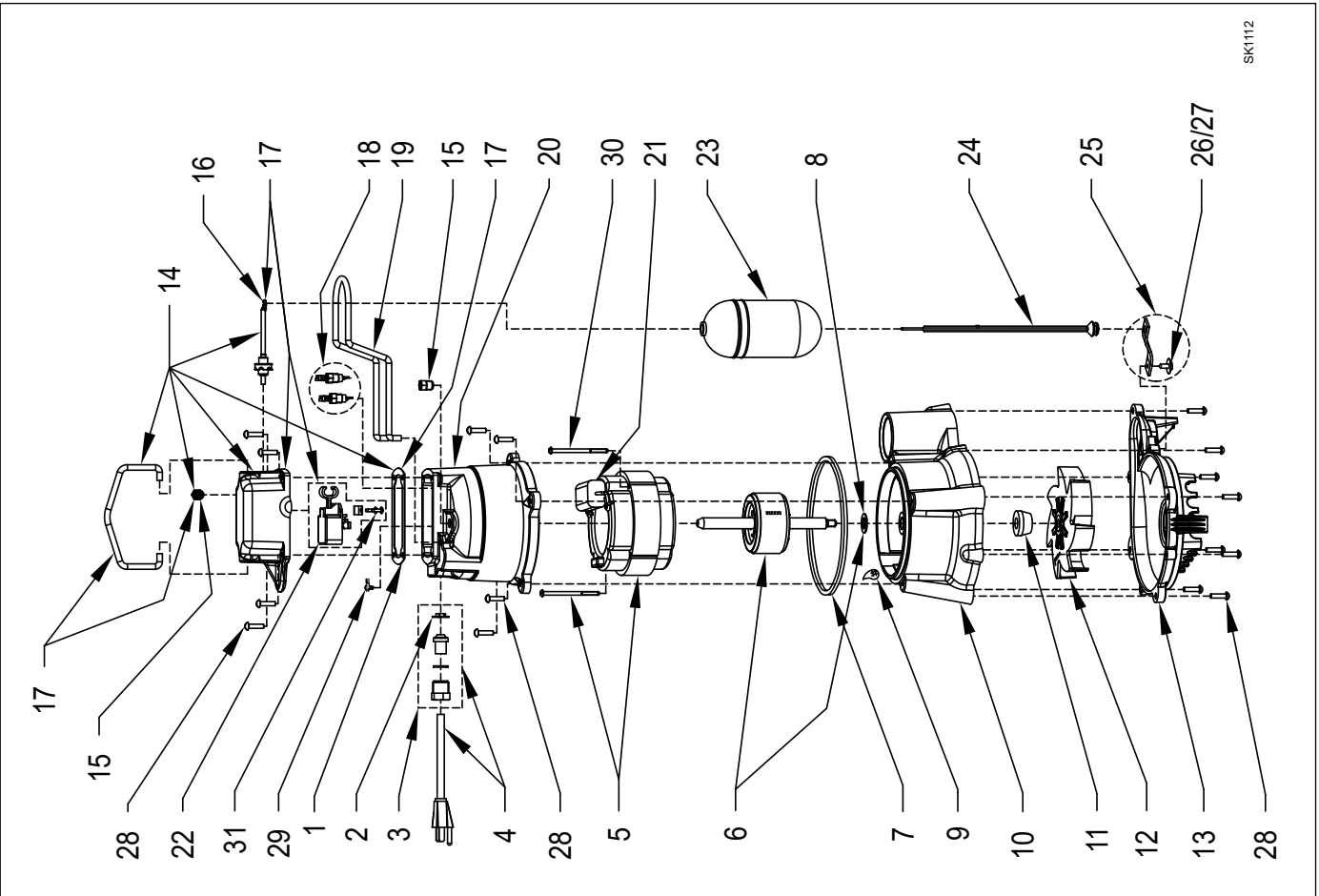
Visit our website:
zoellerpumps.com
 or visit shop.zoeller.com to purchase service parts.

REPLACEMENT PARTS ILLUSTRATION FOR MODELS "N98" AND "E98"



SK1113

REPLACEMENT PARTS ILLUSTRATION FOR MODELS "M98" AND "D98"



SK1112