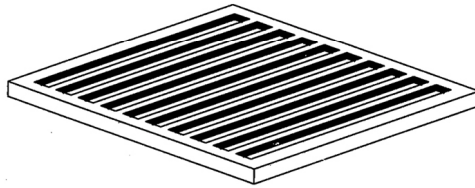
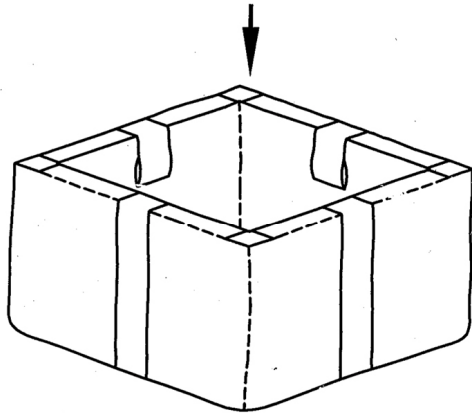


# FRYE FLOW SYSTEMS CATCH BASIN SEDIMENT CONTROL ASSEMBLY



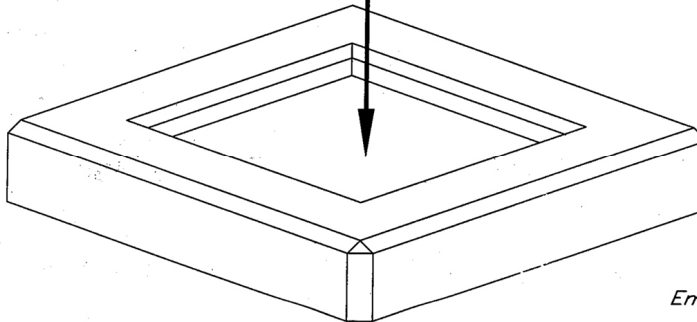
## Installation

1. Remove Grate
2. Install bag  
\*Bag rests on lip of casting
3. Reinstall grate



## Maintenance

1. Remove grate
2. Bag can be cleaned several ways
  - a) Pick up bag and dump it
  - b) Shoveling debris out of bag
  - c) Vac-Unit
3. Shake loose debris out of bag or rinse with water
4. Reinstall bag
5. Reinstall grate



For Structures:



Available from:



**DRAINAGE  
SOLUTIONS, INC**

(317) 346-4110

Emc

[www.drainagesolutionsinc.com](http://www.drainagesolutionsinc.com)