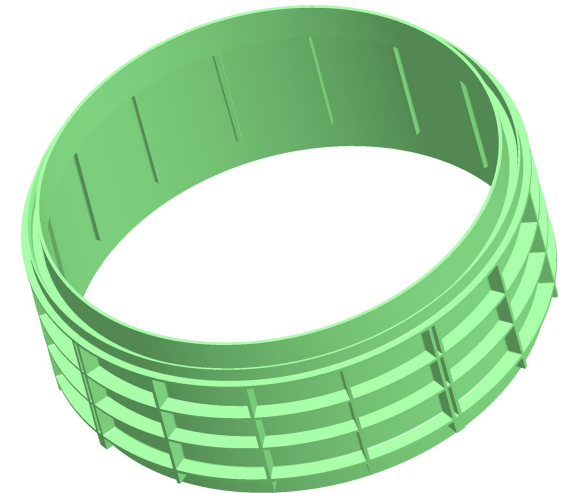
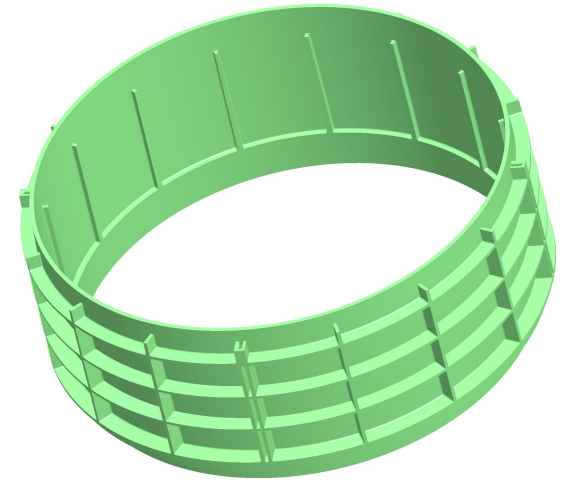
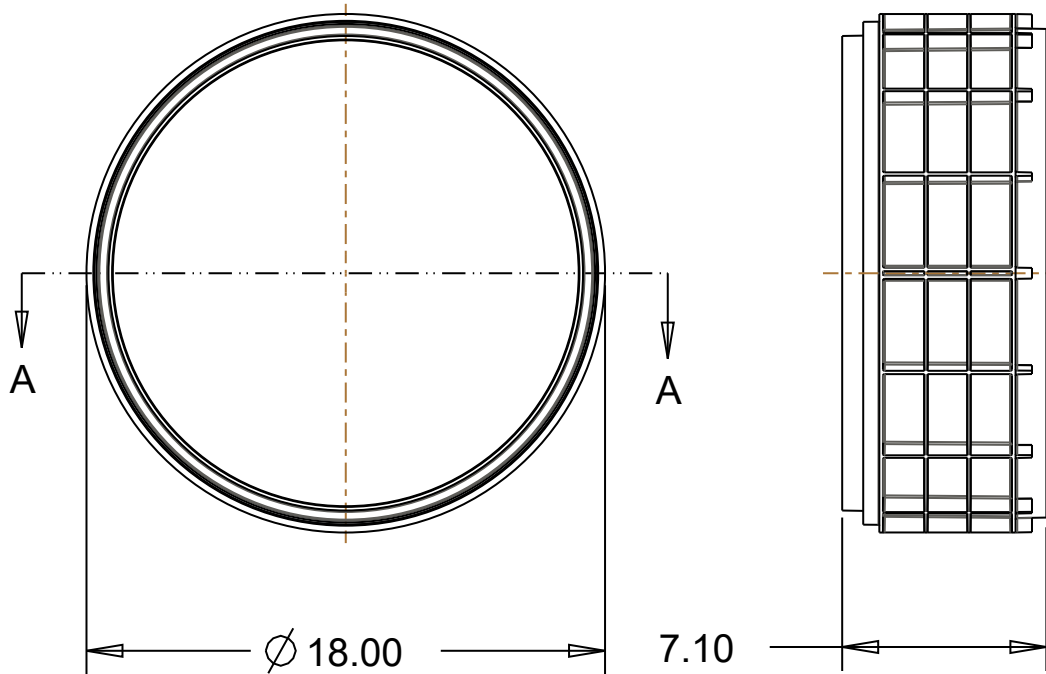


SECTION A-A



Material: Copolymer Polypropylene
Color: Green



Drainage and Septic Products



DRAINAGE SOLUTIONS, INC.

(317) 346-4110

www.drainagesolutionsinc.com

PART NAME:

16" RISER

PART #:

16 - RIS - GREEN