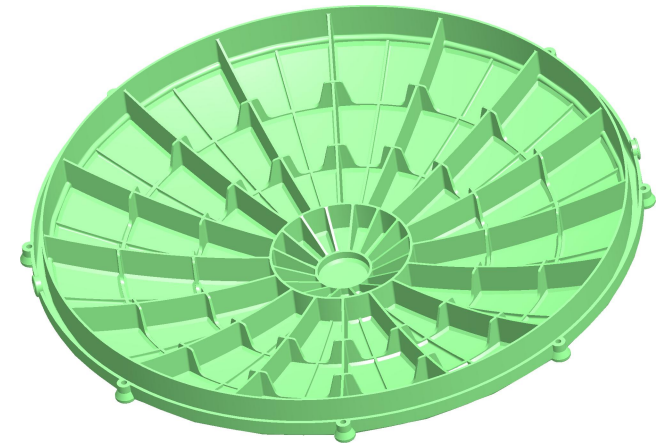
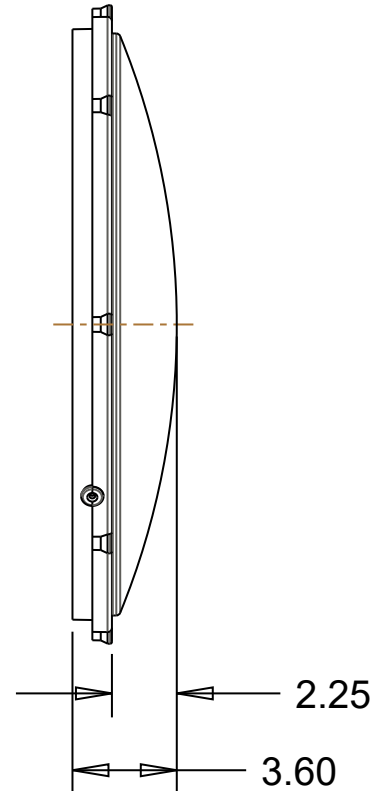
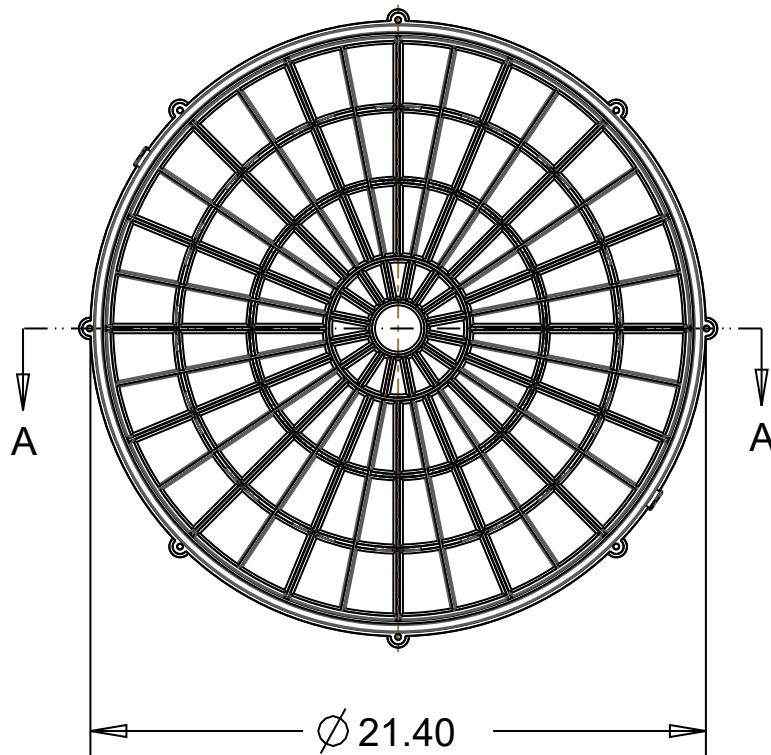
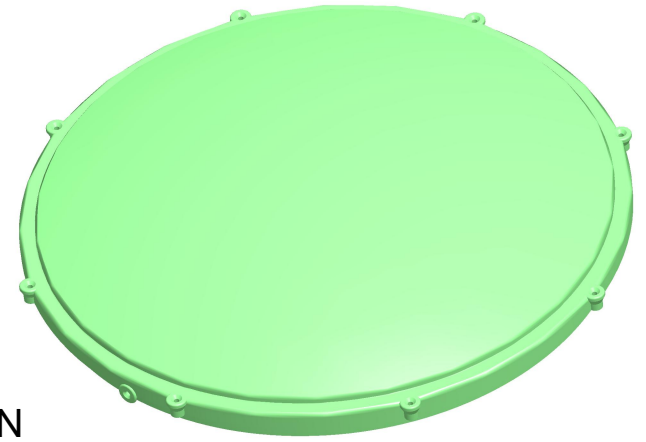


SECTION A-A

PERMANENT FOAMED-IN POLYURETHANE GASKET



Material: Copolymer Polypropylene
Color: Green



Drainage and Septic Products



DRAINAGE SOLUTIONS, INC

(317) 346-4110

www.drainagesolutionsinc.com

PART NAME:

20" RISER LID

PART #:

20 - RISL - GREEN